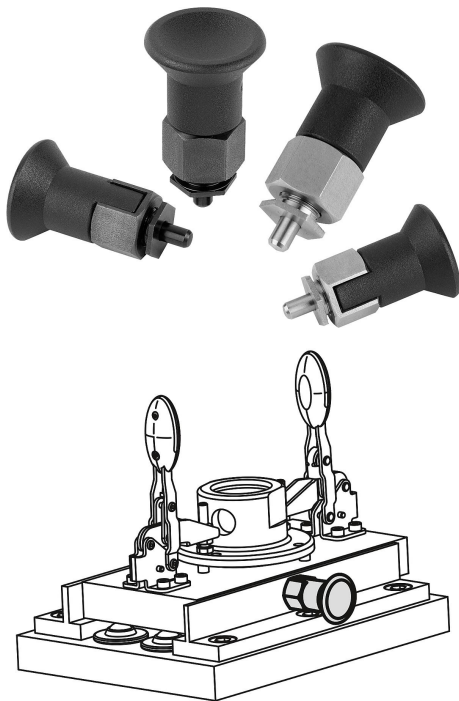


Indexing plungers, steel or stainless steel for thin-walled parts, with plastic mushroom grip

Item description/product images



Description

Material:

Steel version

Indexing pin hardened:
grade 5.8

Stainless steel version

Indexing pin not hardened:
Threaded sleeve 1.4305.
Indexing pin 1.4305.

Mushroom knob black-grey thermoplastic.

Version:

Steel version:

Indexing pin hardened, ground, black oxidised.

Stainless steel version:

Indexing pin not hardened, ground, bright.

Note:

These indexing plungers have been specially designed for assembly in thin-walled parts.

Indexing plungers are used where any change in locking position due to lateral forces should be prevented. A new locking position can be set only after the pin has been manually disengaged.

Form C is recommended for applications where the locking pin should remain disengaged for an extended period and be prevented from springing back.

Accessory:

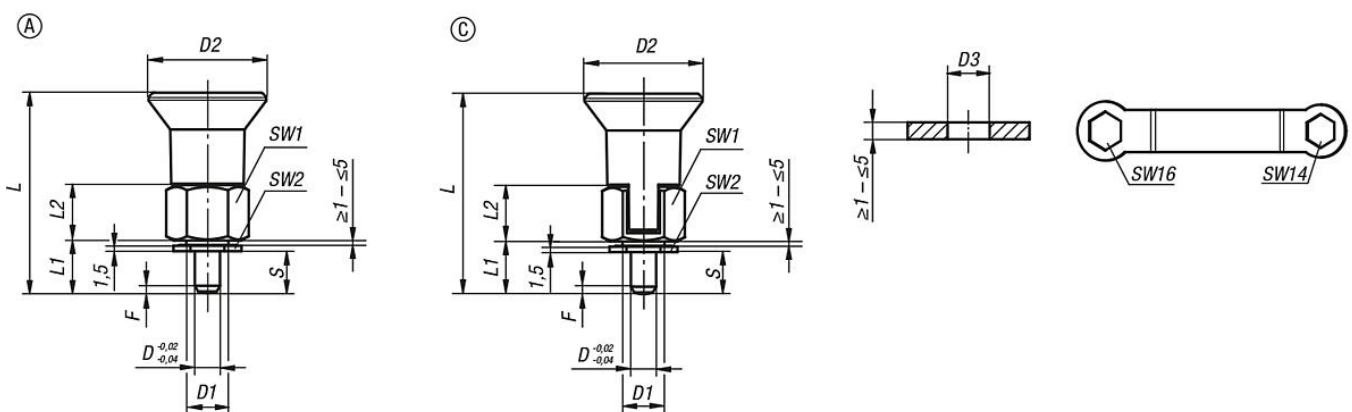
A double-ended ring spanner can be supplied as an accessory to tighten the nut.

Drawing reference:

Form A: non-lockout type

Form C: lockout type

Drawings



Overview of items

Indexing plungers, steel or stainless steel for thin-walled parts, with plastic mushroom grip

Overview of items

Indexing plungers for thin-walled parts

Order No.	Main material	Form	D	D1	D2	D3	L	L1	L2	L3	Travel S	SW1	SW2	Fx30°	Spring force initial pressure F1 approx. N	Spring force final pressure F2 approx. N
K0735.31105	steel	A	5	M10x1	28	10	46,5	11,5	13	10,5	5-9	17	14	1,3	6	15
K0735.31206	steel	A	6	M10x1	28	10	47,5	12,5	13	10,5	6-10	17	14	1,8	7	19
K0735.311105	stainless steel	A	5	M10x1	28	10	46,5	11,5	13	10,5	5-9	17	14	1,3	6	15
K0735.311206	stainless steel	A	6	M10x1	28	10	47,5	12,5	13	10,5	6-10	17	14	1,8	7	19
K0735.33105	steel	C	5	M10x1	28	10	46,5	11,5	13	10,5	5-9	17	14	1,3	6	15
K0735.33206	steel	C	6	M10x1	28	10	47,5	12,5	13	10,5	6-10	17	14	1,8	7	19
K0735.313105	stainless steel	C	5	M10x1	28	10	46,5	11,5	13	10,5	5-9	17	14	1,3	6	15
K0735.313206	stainless steel	C	6	M10x1	28	10	47,5	12,5	13	10,5	6-10	17	14	1,8	7	19
K0631.91416	-	-	-	-	-	-	-	-	-	-	-	-	-	-	-	-

Order No.	Article description
K0631.91416	DOUBLE-ENDED RING SPANNER