

## Stop latches

### Item description/product images



### Description

**Material:**

Housing die-cast zinc, powder-coated.

Pin steel.

Washer plastic.

Circlip spring steel.

Countersunk screw steel grade 8.8.

**Version:**

Housing black or red.

Pin trivalent blue passivated.

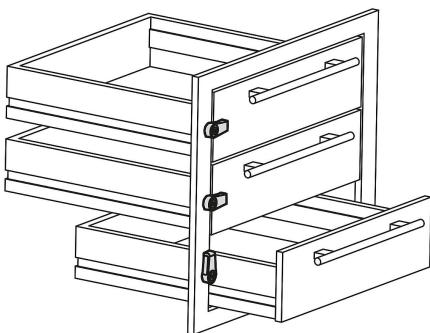
Circlip and countersunk screw, black.

**Note:**

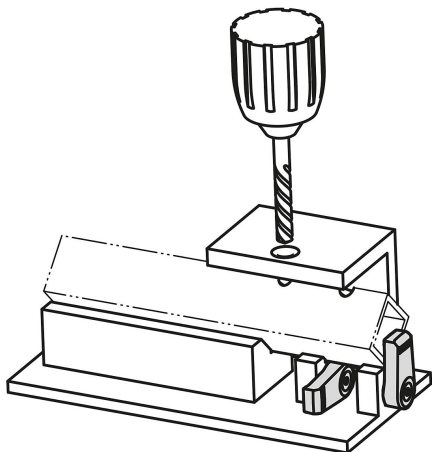
Engages every 90°.



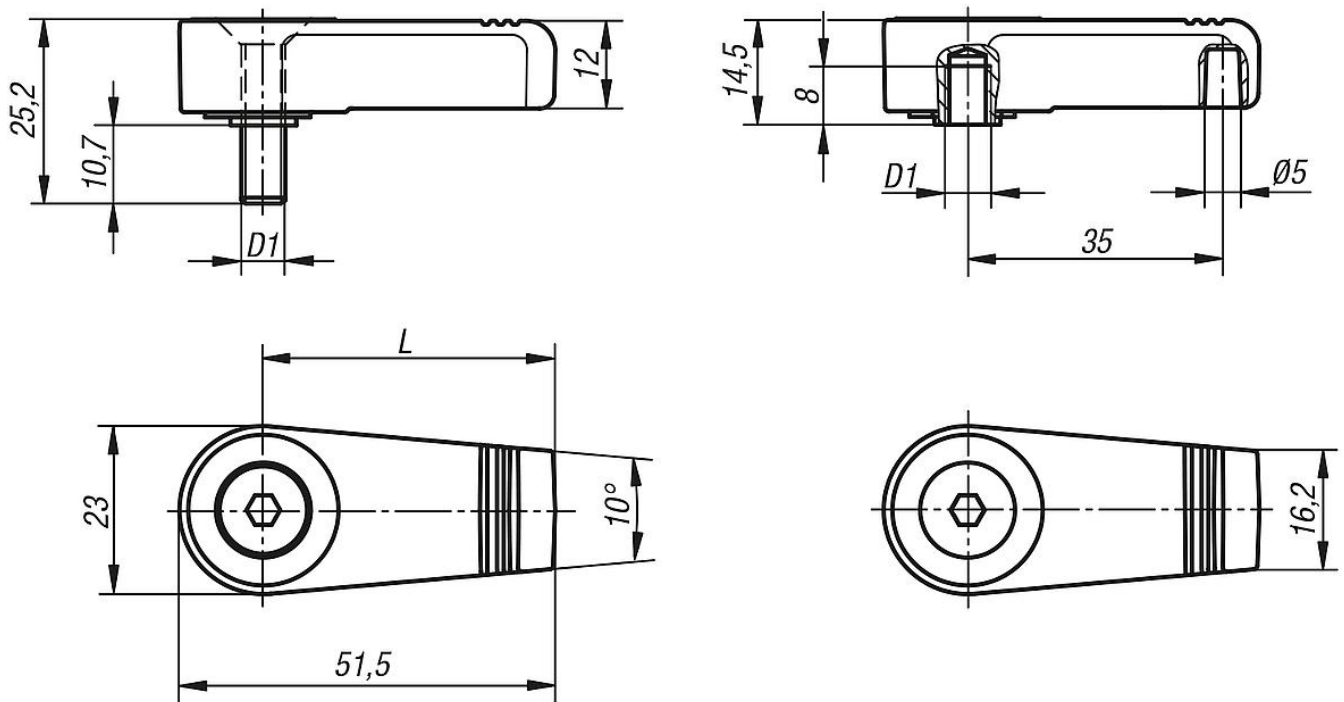
DESIGN  
AWARD  
2015



### Item description/product images



### Drawings



### Overview of items

#### Stop latch

| Order No.       | Main colour | Version         | L  | D1 |
|-----------------|-------------|-----------------|----|----|
| K0271.140061    | black       | internal thread | 40 | M6 |
| K0271.140062    | red         | internal thread | 40 | M6 |
| K0271.140061X10 | black       | external thread | 40 | M6 |
| K0271.140062X10 | red         | external thread | 40 | M6 |

