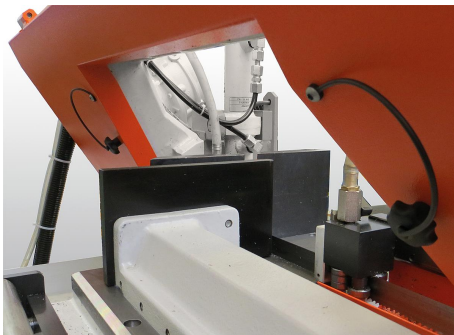


Star grips with safety cable similar to DIN 6336, internal thread, Form KS

Item description/product images



Description

Material:

Star grip thermoplast, bush steel.

Safety cable elastic TPU.

Version:

Bush trivalent blue passivated.

Note:

Attach the safety cable to a base to make the star grip unlosable.

The star grip cannot be moved far from the object to which it belongs, simplifying screwing and unscrewing of the grip and ensuring against loss.

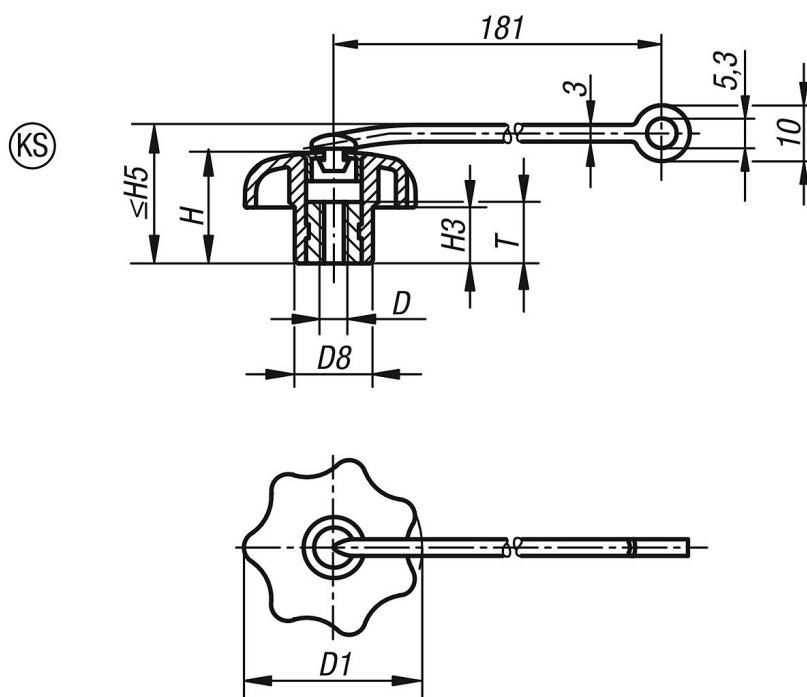
Assembly:

Do not stretch the band during assembly.

Make sure that the anchor is not too far from where the star grip is to be used.

Star grips with safety cable similar to DIN 6336, internal thread, Form KS

Drawings



Overview of items

| Order No. | Form | Colour Cap | D | D1 | D8 | H | H3 | H5 max. | T |
|-------------|------|-----------------------|-----|----|----|----|----|---------|----|
| K0155.604 | KS | jet black | M4 | 25 | 12 | 16 | 8 | 22 | 10 |
| K0155.6045 | KS | light grey RAL 7035 | M4 | 25 | 12 | 16 | 8 | 22 | 10 |
| K0155.6046 | KS | traffic red RAL 3020 | M4 | 25 | 12 | 16 | 8 | 22 | 10 |
| K0155.6047 | KS | colza yellow RAL 1021 | M4 | 25 | 12 | 16 | 8 | 22 | 10 |
| K0155.605 | KS | jet black | M5 | 25 | 12 | 16 | 8 | 22 | 10 |
| K0155.6055 | KS | light grey RAL 7035 | M5 | 25 | 12 | 16 | 8 | 22 | 10 |
| K0155.6056 | KS | traffic red RAL 3020 | M5 | 25 | 12 | 16 | 8 | 22 | 10 |
| K0155.6057 | KS | colza yellow RAL 1021 | M5 | 25 | 12 | 16 | 8 | 22 | 10 |
| K0155.6061 | KS | jet black | M6 | 25 | 12 | 16 | 8 | 22 | 10 |
| K0155.60615 | KS | light grey RAL 7035 | M6 | 25 | 12 | 16 | 8 | 22 | 10 |
| K0155.60616 | KS | traffic red RAL 3020 | M6 | 25 | 12 | 16 | 8 | 22 | 10 |
| K0155.60617 | KS | colza yellow RAL 1021 | M6 | 25 | 12 | 16 | 8 | 22 | 10 |
| K0155.6051 | KS | jet black | M5 | 32 | 14 | 20 | 10 | 26 | 10 |
| K0155.60515 | KS | light grey RAL 7035 | M5 | 32 | 14 | 20 | 10 | 26 | 10 |
| K0155.60516 | KS | traffic red RAL 3020 | M5 | 32 | 14 | 20 | 10 | 26 | 10 |
| K0155.60517 | KS | colza yellow RAL 1021 | M5 | 32 | 14 | 20 | 10 | 26 | 10 |
| K0155.606 | KS | jet black | M6 | 32 | 14 | 20 | 10 | 26 | 10 |
| K0155.6065 | KS | light grey RAL 7035 | M6 | 32 | 14 | 20 | 10 | 26 | 10 |
| K0155.6066 | KS | traffic red RAL 3020 | M6 | 32 | 14 | 20 | 10 | 26 | 10 |
| K0155.6067 | KS | colza yellow RAL 1021 | M6 | 32 | 14 | 20 | 10 | 26 | 10 |
| K0155.608 | KS | jet black | M8 | 40 | 18 | 25 | 13 | 31 | 14 |
| K0155.6085 | KS | light grey RAL 7035 | M8 | 40 | 18 | 25 | 13 | 31 | 14 |
| K0155.6086 | KS | traffic red RAL 3020 | M8 | 40 | 18 | 25 | 13 | 31 | 14 |
| K0155.6087 | KS | colza yellow RAL 1021 | M8 | 40 | 18 | 25 | 13 | 31 | 14 |
| K0155.6101 | KS | jet black | M10 | 40 | 18 | 25 | 13 | 31 | 14 |
| K0155.61015 | KS | light grey RAL 7035 | M10 | 40 | 18 | 25 | 13 | 31 | 14 |
| K0155.61016 | KS | traffic red RAL 3020 | M10 | 40 | 18 | 25 | 13 | 31 | 14 |
| K0155.61017 | KS | colza yellow RAL 1021 | M10 | 40 | 18 | 25 | 13 | 31 | 14 |
| K0155.6081 | KS | jet black | M8 | 50 | 22 | 32 | 17 | 38 | 14 |
| K0155.60815 | KS | light grey RAL 7035 | M8 | 50 | 22 | 32 | 17 | 38 | 14 |
| K0155.60816 | KS | traffic red RAL 3020 | M8 | 50 | 22 | 32 | 17 | 38 | 14 |
| K0155.60817 | KS | colza yellow RAL 1021 | M8 | 50 | 22 | 32 | 17 | 38 | 14 |

Star grips with safety cable similar to DIN 6336, internal thread, Form KS

Overview of items

| Order No. | Form | Colour Cap | D | D1 | D8 | H | H3 | H5 max. | T |
|-------------|------|-----------------------|-----|----|----|----|----|------------|----|
| K0155.610 | KS | jet black | M10 | 50 | 22 | 32 | 17 | 38 | 14 |
| K0155.6105 | KS | light grey RAL 7035 | M10 | 50 | 22 | 32 | 17 | 38 | 14 |
| K0155.6106 | KS | traffic red RAL 3020 | M10 | 50 | 22 | 32 | 17 | 38 | 14 |
| K0155.6107 | KS | colza yellow RAL 1021 | M10 | 50 | 22 | 32 | 17 | 38 | 14 |
| K0155.6121 | KS | jet black | M12 | 50 | 22 | 32 | 17 | 38 | 14 |
| K0155.61215 | KS | light grey RAL 7035 | M12 | 50 | 22 | 32 | 17 | 38 | 14 |
| K0155.61216 | KS | traffic red RAL 3020 | M12 | 50 | 22 | 32 | 17 | 38 | 14 |
| K0155.61217 | KS | colza yellow RAL 1021 | M12 | 50 | 22 | 32 | 17 | 38 | 14 |
| K0155.6102 | KS | jet black | M10 | 63 | 26 | 40 | 21 | 46 | 14 |
| K0155.61025 | KS | light grey RAL 7035 | M10 | 63 | 26 | 40 | 21 | 46 | 14 |
| K0155.61026 | KS | traffic red RAL 3020 | M10 | 63 | 26 | 40 | 21 | 46 | 14 |
| K0155.61027 | KS | colza yellow RAL 1021 | M10 | 63 | 26 | 40 | 21 | 46 | 14 |
| K0155.612 | KS | jet black | M12 | 63 | 26 | 40 | 21 | 46 | 14 |
| K0155.6125 | KS | light grey RAL 7035 | M12 | 63 | 26 | 40 | 21 | 46 | 14 |
| K0155.6126 | KS | traffic red RAL 3020 | M12 | 63 | 26 | 40 | 21 | 46 | 14 |
| K0155.6127 | KS | colza yellow RAL 1021 | M12 | 63 | 26 | 40 | 21 | 46 | 14 |
| K0155.616 | KS | jet black | M16 | 63 | 26 | 40 | 21 | 46 | 14 |
| K0155.6165 | KS | light grey RAL 7035 | M16 | 63 | 26 | 40 | 21 | 46 | 14 |
| K0155.6166 | KS | traffic red RAL 3020 | M16 | 63 | 26 | 40 | 21 | 46 | 14 |
| K0155.6167 | KS | colza yellow RAL 1021 | M16 | 63 | 26 | 40 | 21 | 46 | 14 |