

# Dipstick Form B, with vent hole

## Item description/product images



### Description

#### Material:

Grip thermoplastic polyamide.

Dipstick steel.

O-ring NBR, Shore 70.

#### Version:

Black handle.

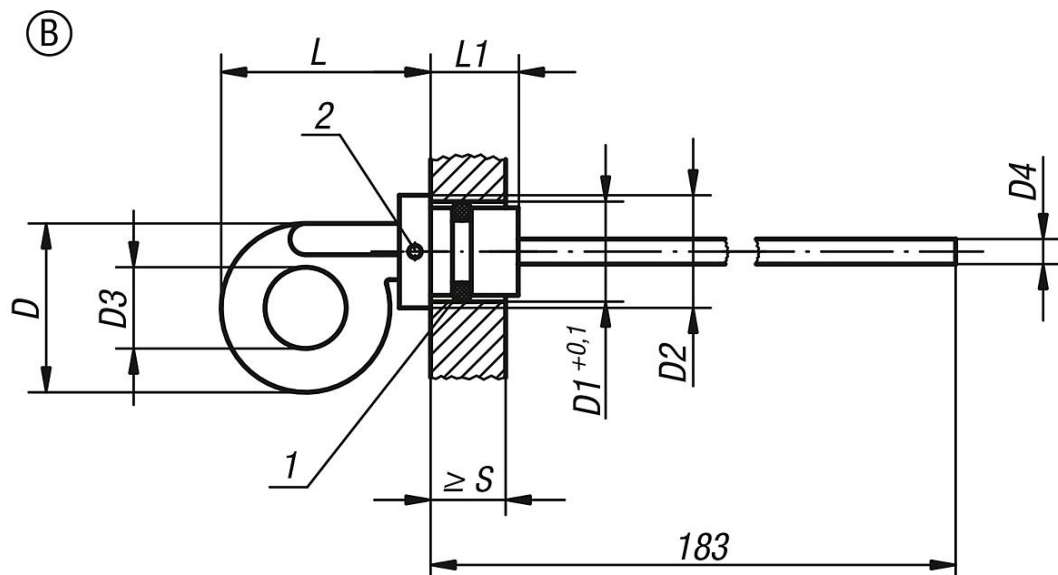
Dipstick, phosphated.

#### Drawing reference:

1) O-ring

2) vent hole

## Drawings



## Overview of items

Order No.	Form	D	D1	D2	D3	D4 ∅	L	L1	S min.
K0468.22714	B	27	14	18	13	4	34	13	10
K0468.23218	B	32	18	24	14	5	45	17	9
K0468.23220	B	32	20	24	14	5	44,5	18	10