

Screw plugs Form C, with drain symbol

Item description/product images



Description

Material:

Thermoplastic polyamide 66

Version:

Black. Flat seal asbestos-free

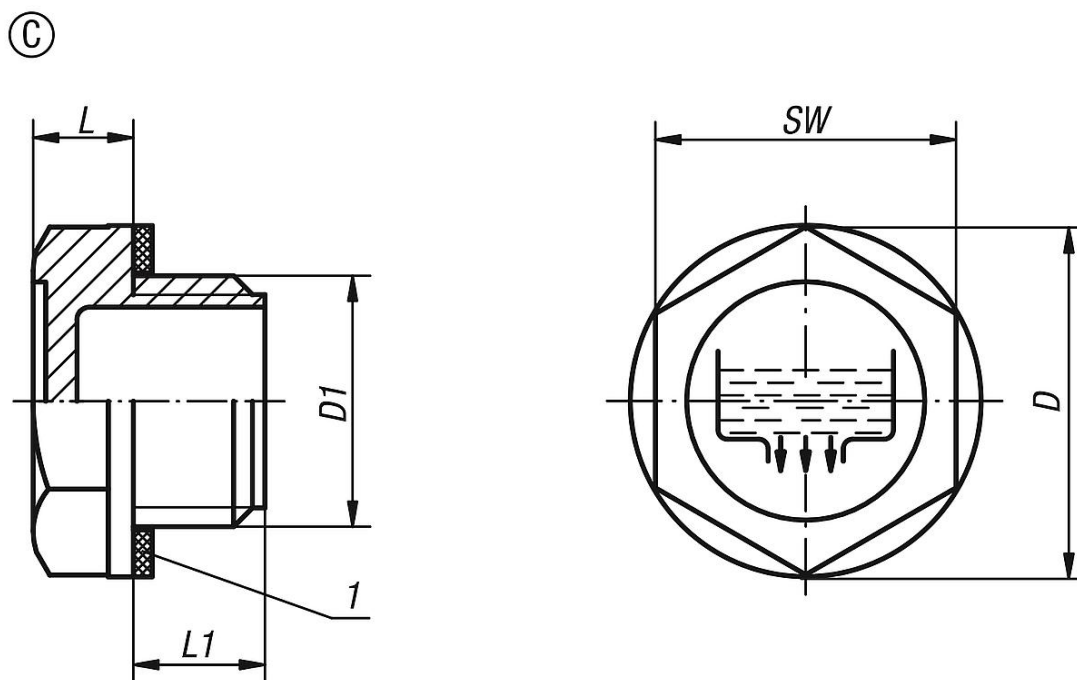
Temperature range:

Temperature resistant with oil up to 100°C.

Drawing reference:

1) flat seal

Drawings



Overview of items

Order No.	Form	D	D1	L	L1	SW	Tightening torque max. Nm
K0454.319014	C	19,5	G1/4	7	9	17	5
K0454.322038	C	22	G3/8	7,5	10	18	8
K0454.328012	C	28	G1/2	7,5	11	24	9
K0454.334034	C	34	G3/4	9	11	30	11
K0454.342100	C	42	G1	10,5	12	35	-
K0454.351114	C	51	G1 1/4	12	13,5	42	-
K0454.358112	C	58	G1 1/2	10	14,5	50	-
K0454.374200	C	74	G2	13,5	16	64	-
K0454.3191415	C	19,5	M14X1,5	7	9	17	5
K0454.3211615	C	21	M16X1,5	7,5	10	18	6
K0454.3261815	C	26	M18X1,5	7,5	10	21	7
K0454.3282015	C	28	M20X1,5	8	10	24	8

Screw plugs Form C, with drain symbol

Overview of items

Order No.	Form	D	D1	L	L1	SW	Tightening torque max. Nm
K0454.3282215	C	28	M22X1,5	8	11	24	10
K0454.3524015	C	52	M40X1,5	10	13	42	-