

Ledge handles, aluminium, mounted from the front or rear

Item description/product images



Description

Material:

Profile aluminium EN AW-6060

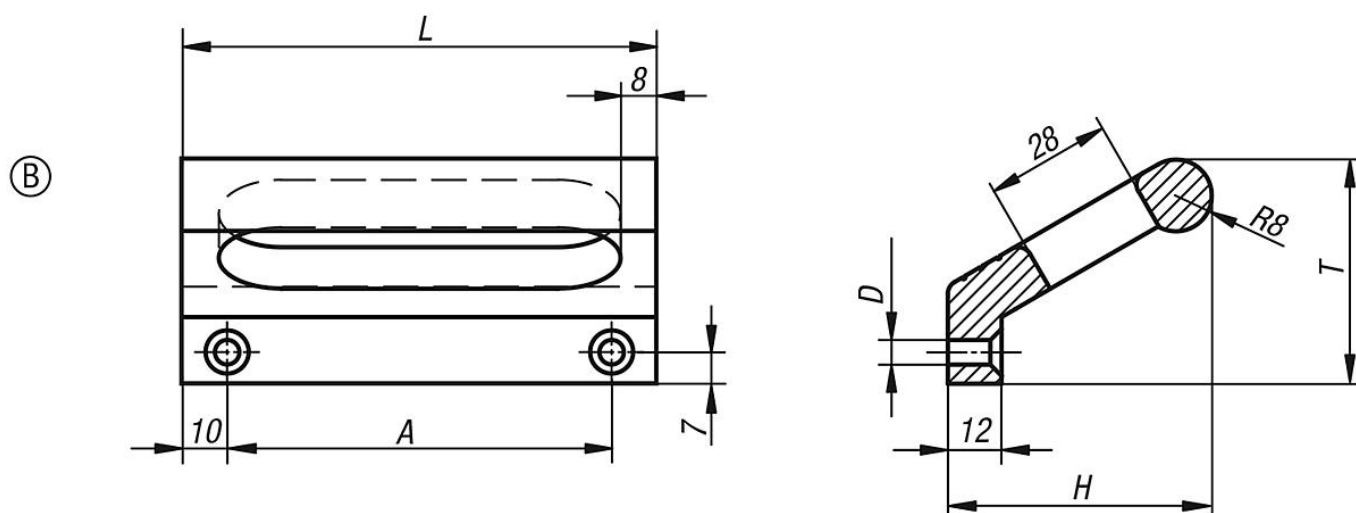
Version:

Matt-gloss anodised.

Note:

These ledge handles are available with M6 internal thread or with through hole for M5 countersunk screws for front mounting.

Drawings



Overview of items

Angled Profile Handles

Order No.	Form	Main colour	A	D	H	L	T	Load capacity N
K0234.086051	B	black anodised	86	5,5	59	106	50	500
K0234.100051	B	black anodised	100	5,5	59	120	50	500
K0234.120051	B	black anodised	120	5,5	59	140	50	500
K0234.086053	B	natural anodised	86	5,5	59	106	50	500
K0234.100053	B	natural anodised	100	5,5	59	120	50	500
K0234.120053	B	natural anodised	120	5,5	59	140	50	500