

Tubular handles, aluminium with plastic grip legs, Form B

Item description/product images



Description

Material:

Grip aluminium EN AW-6060.
Legs glass-bead reinforced polyamide.

Version:

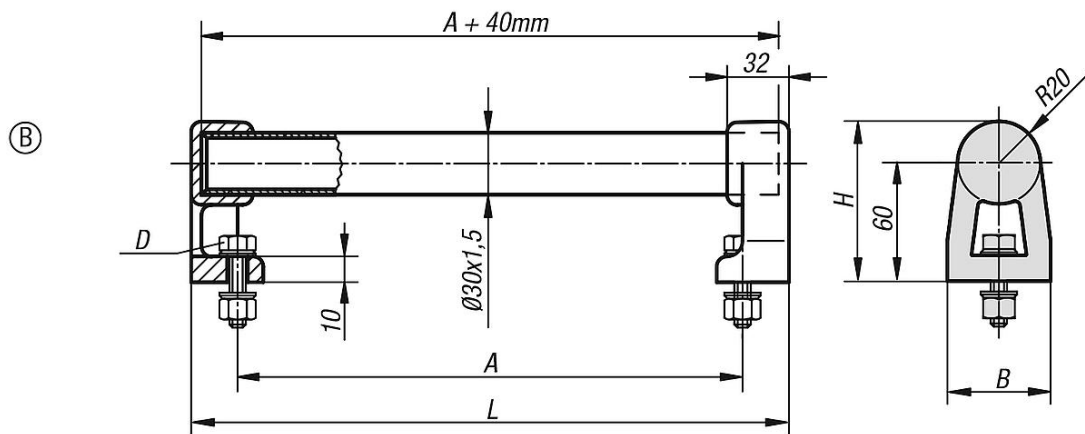
Grip natural colour anodised or with black serrated plastic cover.

Note:

The legs have 2 or 4 PVC profile pins in the hole for the grip tube. When pushing the tube in these are trimmed off and produce a precise seating.

Black electro zinc-plated fastening screws, suitable washers and nuts are supplied.

Drawings



Overview of items

Tube handles

Order No.	Main colour	Form	A	B	D	H	L	Load capacity N
K0223.150303	natural	B	150	48	M8x25	80	200	1000
K0223.200303	natural	B	200	48	M8x25	80	250	1000
K0223.300303	natural	B	300	48	M8x25	80	350	1000
K0223.400303	natural	B	400	48	M8x25	80	450	1000
K0223.500303	natural	B	500	48	M8x25	80	550	1000
K0223.150302	black	B	150	48	M8x25	80	200	1000
K0223.200302	black	B	200	48	M8x25	80	250	1000
K0223.300302	black	B	300	48	M8x25	80	350	1000
K0223.400302	black	B	400	48	M8x25	80	450	1000
K0223.500302	black	B	500	48	M8x25	80	550	1000