

Handwheels 2-spoke, aluminium, flat rim, fixed grip

Item description/product images



Description

Material:

Handwheels aluminium.

Cylinder grip black thermoset PF 31-DIN 7708, centre pin electro zinc-plated steel.

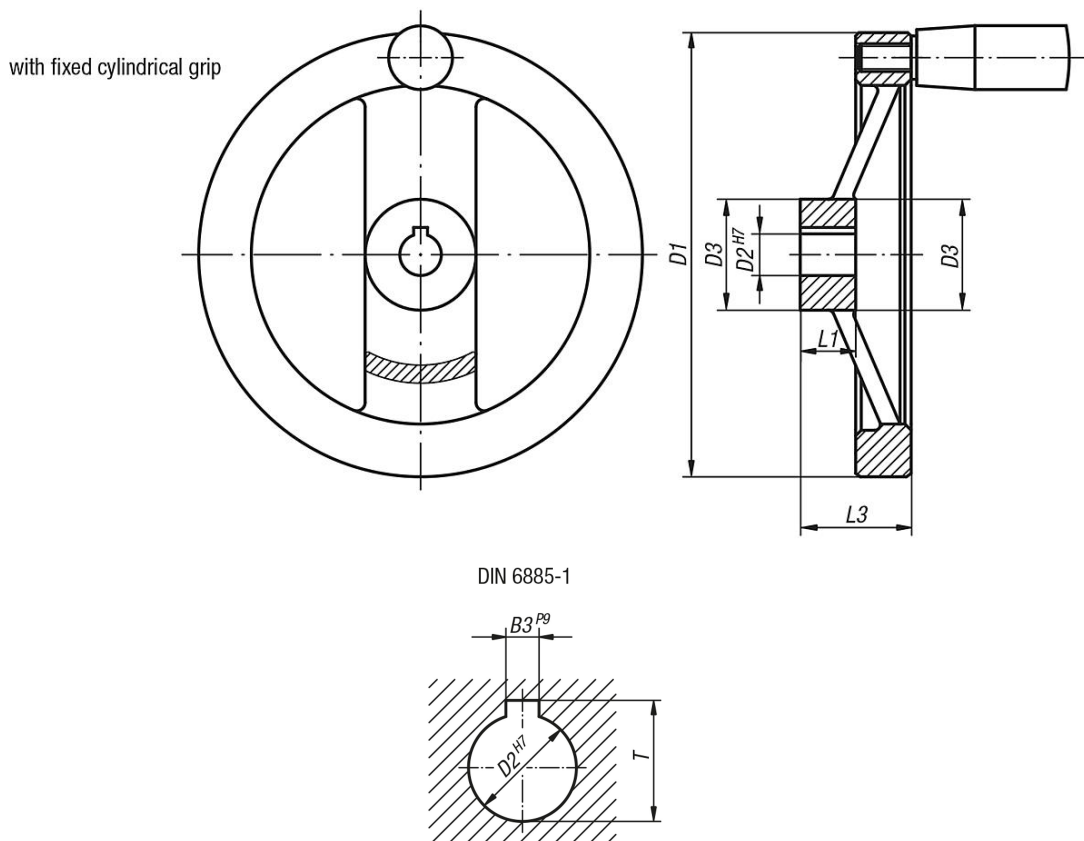
Version:

Wheel rim turned and polished.

On request:

Hubs with square socket or powder-coated handwheels.

Drawings



Overview of items

Order No.	Version 1	D1	D2	D3	L1	L3	B3	T	Fixed cylinder grip
K0162.2080X10	reamed hole	80	10H7	24	16	28	-	-	ø18 x M6 x 40
K0162.2080X12	reamed hole	80	12H7	24	16	28	-	-	ø18 x M6 x 40

Handwheels 2-spoke, aluminium, flat rim, fixed grip

Overview of items

Order No.	Version 1	D1	D2	D3	L1	L3	B3	T	Fixed cylinder grip
K0162.2100X10	reamed hole	100	10H7	26	17	33	-	-	ø18 x M6 x 40
K0162.2100X12	reamed hole	100	12H7	26	17	33	-	-	ø18 x M6 x 40
K0162.2125X12	reamed hole	125	12H7	31	18	33,5	-	-	ø21 x M8 x 50
K0162.2125X14	reamed hole	125	14H7	31	18	33,5	-	-	ø21 x M8 x 50
K0162.2160X14	reamed hole	160	14H7	40	20	39	-	-	ø26 x M10 x 80
K0162.2160X16	reamed hole	160	16H7	40	20	39	-	-	ø26 x M10 x 80
K0162.2200X18	reamed hole	200	18H7	42	24	45	-	-	ø26 x M10 x 80
K0162.2200X20	reamed hole	200	20H7	42	24	45	-	-	ø26 x M10 x 80
K0162.2250X22	reamed hole	250	22H7	48	28	51	-	-	ø28 x M12 x 90
K0162.2250X26	reamed hole	250	26H7	48	28	51	-	-	ø28 x M12 x 90
K0162.3080X10	reamed hole with slot	80	10H7	24	16	28	3	11,4	ø18 x M6 x 40
K0162.3080X12	reamed hole with slot	80	12H7	24	16	28	4	13,8	ø18 x M6 x 40
K0162.3100X10	reamed hole with slot	100	10H7	26	17	33	3	11,4	ø18 x M6 x 40
K0162.3100X12	reamed hole with slot	100	12H7	26	17	33	4	13,8	ø18 x M6 x 40
K0162.3125X12	reamed hole with slot	125	12H7	31	18	33,5	4	13,8	ø21 x M8 x 50
K0162.3125X14	reamed hole with slot	125	14H7	31	18	33,5	5	16,3	ø21 x M8 x 50
K0162.3160X14	reamed hole with slot	160	14H7	40	20	39	5	16,3	ø26 x M10 x 80
K0162.3160X16	reamed hole with slot	160	16H7	40	20	39	5	18,3	ø26 x M10 x 80
K0162.3200X18	reamed hole with slot	200	18H7	42	24	45	6	20,8	ø26 x M10 x 80
K0162.3200X20	reamed hole with slot	200	20H7	42	24	45	6	22,8	ø26 x M10 x 80
K0162.3250X22	reamed hole with slot	250	22H7	48	28	51	6	24,8	ø28 x M12 x 90
K0162.3250X26	reamed hole with slot	250	26H7	48	28	51	8	29,3	ø28 x M12 x 90