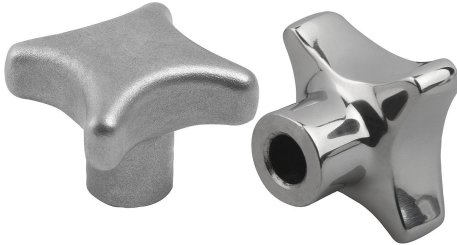


Palm grips similar to DIN 6335, stainless steel, Form C, blind hole

Item description/product images



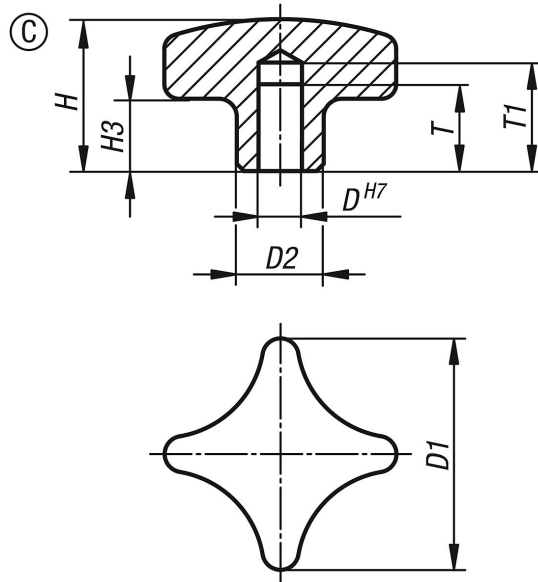
Description

Material:
Stainless steel 1.4308.

Version:
Ground and polished or blasted.

On request:
With external thread.

Drawings



Overview of items

Order No.	Form	Surface finish body	D	D1	D2	H	H3	T	T1
K0146.3032062	C	polished	6	32	12	21	10	12	15
K0146.3040082	C	polished	8	40	14	26	14	15	18
K0146.3050102	C	polished	10	50	18	34	20	18	21
K0146.3063122	C	polished	12	63	20	42	25	22	25
K0146.3032063	C	blasted	6	32	12	21	10	12	15
K0146.3040083	C	blasted	8	40	14	26	14	15	18
K0146.3050103	C	blasted	10	50	18	34	20	18	21
K0146.3063123	C	blasted	12	63	20	42	25	22	25