

Side clamps, Form D

Item description/product images



Description

Material:
Steel.

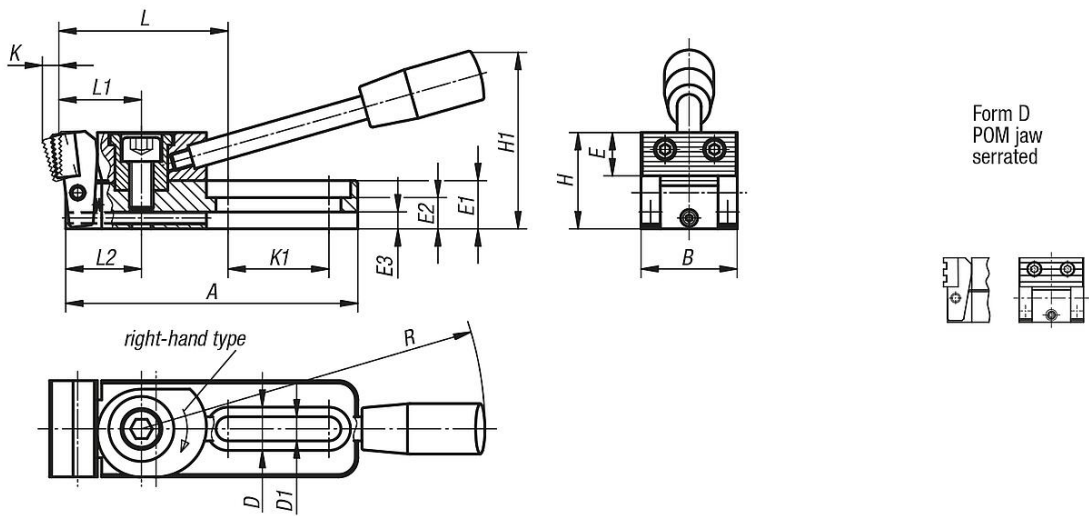
Version:
Case-hardened and black oxidised.

Note:
This is a quick-action side clamp where workpieces are clamped by rotating a cam wheel which exerts pressure on the swivel jaw, simultaneously producing a positive down force.
Using the stop screw and centring bush (see diagram), the side clamp can be mounted and positioned on a modular grid system.

The versions K0034.006010, K0034.006015, K0034.006030 and K0034.006035 have 2 round carbide inserts.

Clamping force:
K0034.006... = 3800 N
K0034.010... = 7200 N

Drawings



Overview of items

Order No.	Form	Version 1	A	B	D	D1	E	E1	E2	E3	H	H1	K	K1	L	L1	L2	R	F=Retaining force N
K0034.006020	D	right	78	25	12	6,2	11	12	8	4	25	45	4	26	46,5	22	20	110	3800
K0034.010020	D	right	121,5	40	18	10,2	18	20	13	7	40	74	6	42	70,5	35	31,5	143	7200
K0034.006040	D	left	78	25	12	6,2	11	12	8	4	25	45	4	26	46,5	22	20	110	3800
K0034.010040	D	left	121,5	40	18	10,2	18	20	13	7	40	74	6	42	70,5	35	31,5	143	7200

