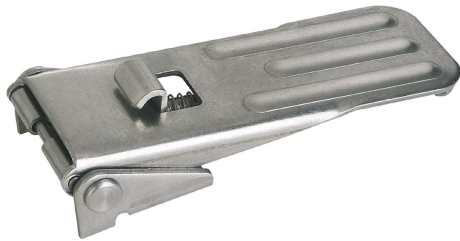


FaLatches adjustable, fastening holes covered, Form B

Item description/product images



Description

Material:

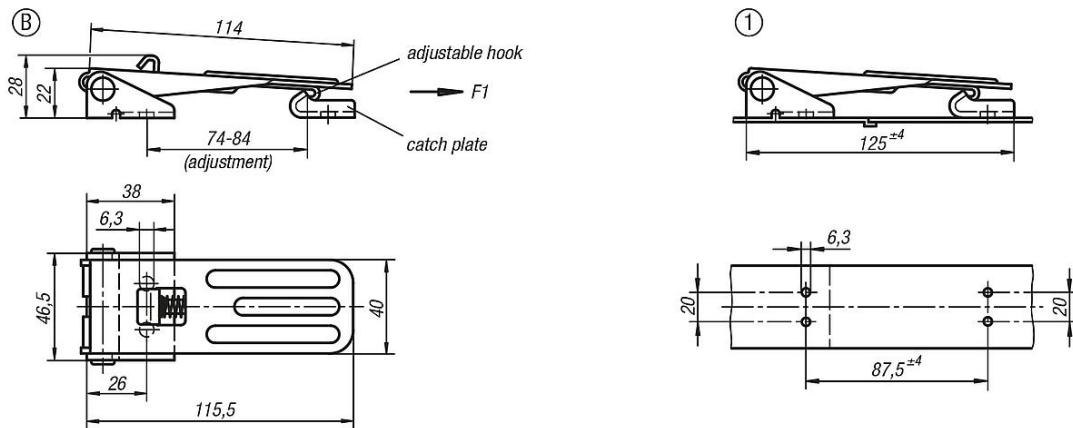
Steel or stainless steel 1.4301.

Version:

Steel trivalent blue passivated.

Stainless steel bright.

Drawings



Overview of items

Latches adjustable, fastening holes covered

Order No.	Main material	Form	Retaining force F1 N
K0049.2631161	steel	B	4000
K0049.2631162	stainless steel	B	4000