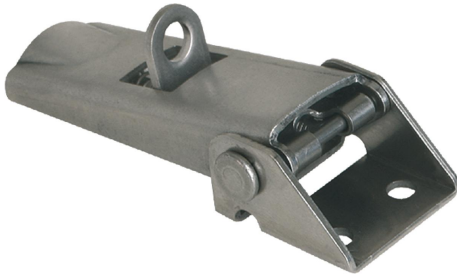


## Latches adjustable, fastening holes accessible, Form C

### Item description/product images

---



### Description

**Material:**

Steel or stainless steel 1.4301.

**Version:**

Steel trivalent blue passivated.

Stainless steel bright.

**Note:**

Adjustable latches are secure locking systems for industrial applications. By exceeding the dead centre they resist vibration.

After the hook is engaged with the catch plate, the parts to be locked can be drawn together by up to 5 mm by pushing the lever down.

To compensate for tolerances or to create enough tension, the hook length can be adjusted using the M5 threaded spindle.

The latches can be screwed down or riveted.

Any catch plate can be combined with any latch.

Order required catch plate version separately.

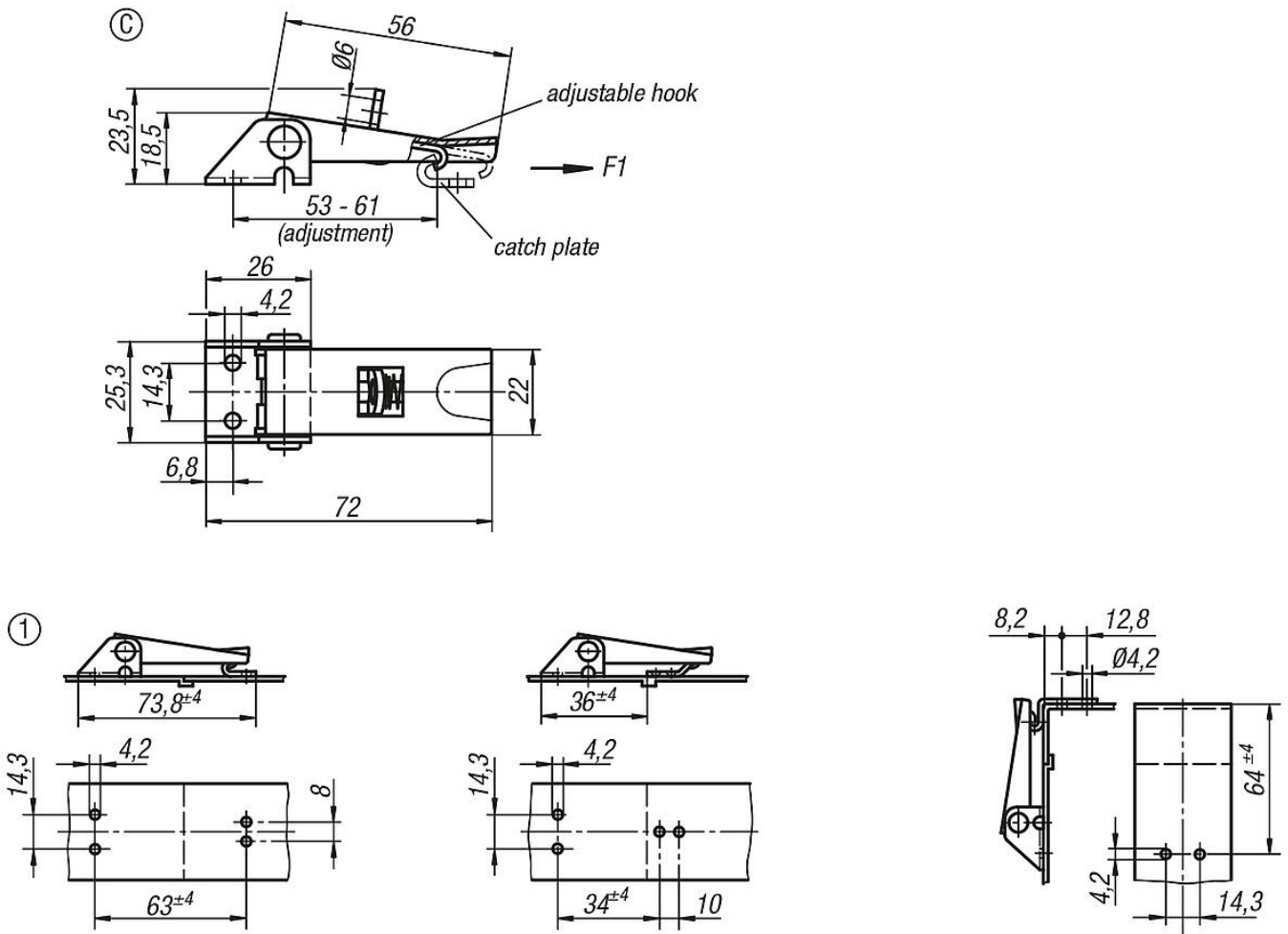
The retaining force F1 applies to the latch, not the catch plate.

**Drawing reference:**

Form C with padlock hole

Latches adjustable, fastening holes accessible, Form C

Drawings



Overview of items

Latches adjustable, fastening holes accessible

Order No.	Main material	Form	Retaining force F1 N
K0046.3420721	steel	C	1000
K0046.3420722	stainless steel	C	1000