

Goose-neck clamps straps

Item description/product images



Description

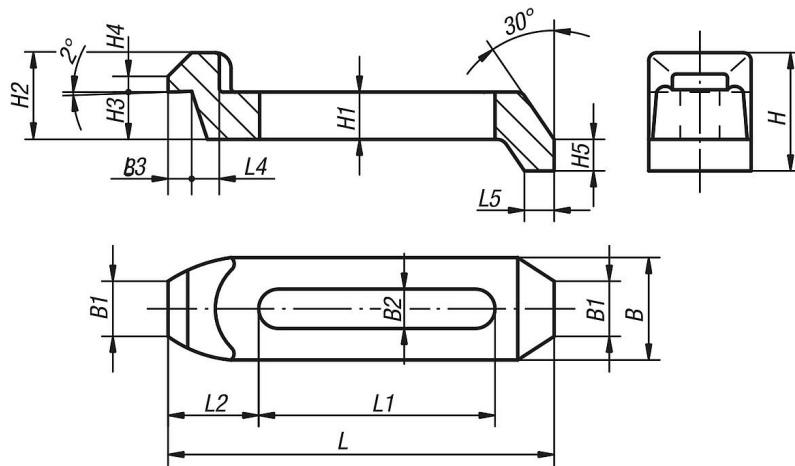
Material:
Carbon steel 1.7225

Version:
Tempered to 1000 N/mm², black oxidised.

Note:
For suitable supports and adjustable rest pads, see K0305 and K0306.

Drawings

K0002.05 (0,48 kg)



Overview of items

Order No.	Item	L	L1	L2	L3	L4	L5	B	B1	B2	B3	H	H1	H2	H3	H4	H5	H6
K0002.05	Clamp Strap	135	87	26	8	10	10	36	21	13	-	42	16	30	18	5	12	-