

# Ball transfer units with fastening holes, without housing

## Item description/product images



### Description

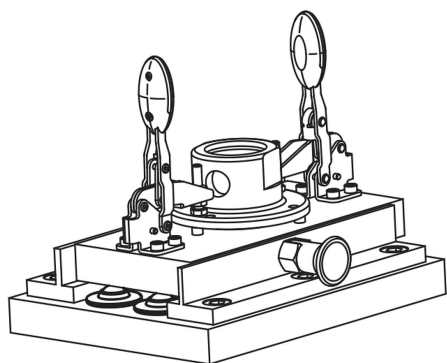
**Material:**  
Steel electro zinc-plated.

**Note:**  
Ball transfer units with fastening holes for easy installation and removal.

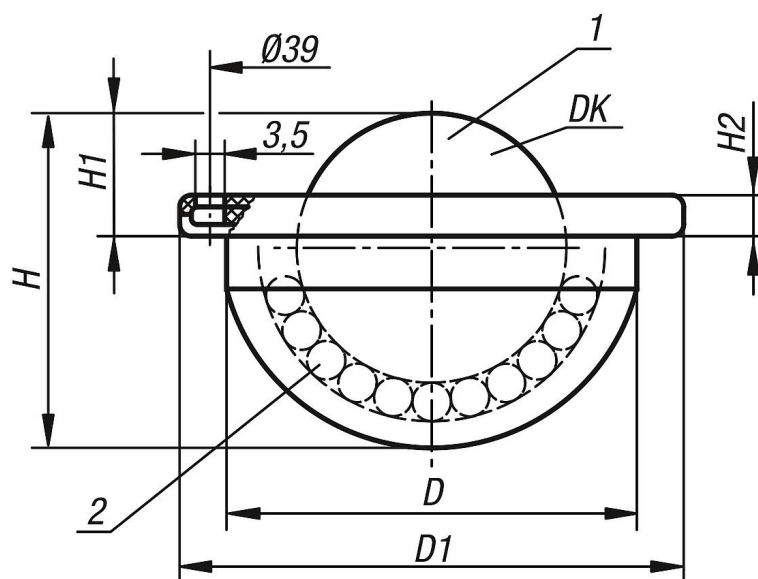
### Drawing reference:

- 1) load ball
- 2) bearing balls

Form B: cap and housing electro zinc-plated, balls steel  
Form C: cap and housing electro zinc-plated, balls stainless steel



## Drawings



## Overview of items

### Ball transfer units with fastening holes, without housing

Order No.	Form	DK	D	D1	H	H1	H2	No. of fastening holes	Load rating C (N)
K0764.122	B	22	33-0,2	45	27,7	9,8±0,2	5	3	1200
K0764.222	C	22	33-0,2	45	27,7	9,8±0,2	5	3	900

## **Ball transfer units with fastening holes, without housing**

Overview of items

---