

Swivel feet steel, Form A

Item description/product images

Description

Material, version:

Plate steel, painted yellow.

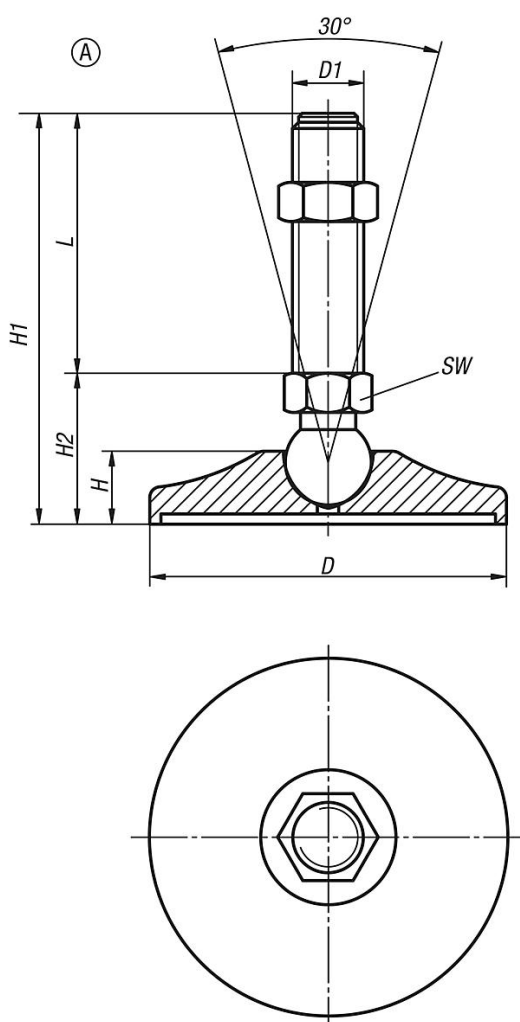
Threaded spindle electro zinc-plated steel.

Note:

High load rated steel swivel feet with yellow painted plate.

The load values specified in the table are based on a test series, in which a static load was applied perpendicular to the plates through the centre of the spindle. Radially acting forces such as those produced by vibrations or other shaking effects, affect the load rating and are not taken into account for the specified values.

Drawings



Overview of items

Order No.	Form	D	D1	H	H1	H2	SW	L	Load rating max. kN (static load only)
K0742.005010X25	A	50	M10	16	53	28	14	25	15

Swivel feet steel, Form A

Overview of items

Order No.	Form	D	D1	H	H1	H2	SW	L	Load rating max. kN (static load only)
K0742.005010X50	A	50	M10	16	78	28	14	50	15
K0742.005010X75	A	50	M10	16	103	28	14	75	15
K0742.005010X100	A	50	M10	16	128	28	14	100	15
K0742.005010X125	A	50	M10	16	153	28	14	125	15
K0742.005012X25	A	50	M12	16	53	28	14	25	15
K0742.005012X50	A	50	M12	16	78	28	14	50	15
K0742.005012X75	A	50	M12	16	103	28	14	75	15
K0742.005012X100	A	50	M12	16	128	28	14	100	15
K0742.005012X125	A	50	M12	16	153	28	14	125	15
K0742.005014X25	A	50	M14	16	53	28	14	25	15
K0742.005014X50	A	50	M14	16	78	28	14	50	15
K0742.005014X75	A	50	M14	16	103	28	14	75	15
K0742.005014X100	A	50	M14	16	128	28	14	100	15
K0742.005014X125	A	50	M14	16	153	28	14	125	15
K0742.006514X50	A	65	M14	17	80	30	14	50	20
K0742.006514X75	A	65	M14	17	105	30	14	75	20
K0742.006514X100	A	65	M14	17	130	30	14	100	20
K0742.006514X125	A	65	M14	17	155	30	14	125	20
K0742.006514X150	A	65	M14	17	180	30	14	150	20
K0742.006516X50	A	65	M16	17	80	30	16	50	20
K0742.006516X75	A	65	M16	17	105	30	16	75	20
K0742.006516X100	A	65	M16	17	130	30	16	100	20
K0742.006516X125	A	65	M16	17	155	30	16	125	20
K0742.006516X150	A	65	M16	17	180	30	16	150	20
K0742.006516X175	A	65	M16	17	205	30	16	175	20
K0742.008016X50	A	80	M16	19,5	83	33	16	50	30
K0742.008016X75	A	80	M16	19,5	108	33	16	75	30
K0742.008016X100	A	80	M16	19,5	133	33	16	100	30
K0742.008016X125	A	80	M16	19,5	158	33	16	125	30
K0742.008016X150	A	80	M16	19,5	183	33	16	150	30
K0742.008016X175	A	80	M16	19,5	208	33	16	175	30
K0742.008016X200	A	80	M16	19,5	233	33	16	200	30
K0742.008020X75	A	80	M20	19,5	111	36	17	75	30
K0742.008020X100	A	80	M20	19,5	136	36	17	100	30
K0742.008020X125	A	80	M20	19,5	161	36	17	125	30
K0742.008020X150	A	80	M20	19,5	186	36	17	150	30
K0742.008020X175	A	80	M20	19,5	211	36	17	175	30
K0742.008020X200	A	80	M20	19,5	236	36	17	200	30
K0742.010016X50	A	100	M16	20	93	43	20	50	35
K0742.010016X75	A	100	M16	20	118	43	20	75	35
K0742.010016X100	A	100	M16	20	143	43	20	100	35
K0742.010016X125	A	100	M16	20	168	43	20	125	35
K0742.010016X150	A	100	M16	20	193	43	20	150	35
K0742.010016X175	A	100	M16	20	218	43	20	175	35
K0742.010016X200	A	100	M16	20	243	43	20	200	35
K0742.010020X75	A	100	M20	20	118	43	20	75	45
K0742.010020X100	A	100	M20	20	143	43	20	100	45
K0742.010020X125	A	100	M20	20	168	43	20	125	45
K0742.010020X150	A	100	M20	20	193	43	20	150	45
K0742.010020X175	A	100	M20	20	218	43	20	175	45
K0742.010020X200	A	100	M20	20	243	43	20	200	45
K0742.010024X75	A	100	M24	20	119	44	20	75	55
K0742.010024X100	A	100	M24	20	144	44	20	100	55
K0742.010024X125	A	100	M24	20	169	44	20	125	55
K0742.010024X150	A	100	M24	20	194	44	20	150	55
K0742.010024X175	A	100	M24	20	219	44	20	175	55
K0742.010024X200	A	100	M24	20	244	44	20	200	55

