

Palm grips metal parts stainless steel Form K with tapped bush

Item description/product images



Description

Material:

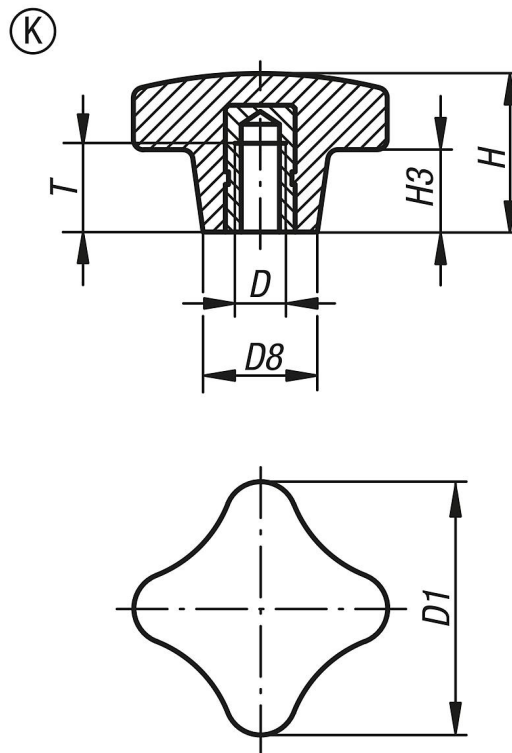
Thermoset PF 31, black.

Metal parts stainless steel 1.4301.

Version:

High-gloss polished, black.

Drawings



Overview of items

Order No.	Form	Component material	D	D1	D8	H	H3	T
K1017.22505	K	stainless steel	M5	25	12	16	8	9,5
K1017.23206	K	stainless steel	M6	32	14	20	10	12
K1017.24008	K	stainless steel	M8	40	18	25	13	14
K1017.25010	K	stainless steel	M10	50	22	32	20	18
K1017.26312	K	stainless steel	M12	63	26	40	25	22