

Shaft collars two-piece

Item description/product images



Description

Material:

Steel.
Stainless steel 1.4305.
Stainless steel 1.4404.
Aluminium.

Version:

Steel black oxidised, screw steel 12.9.
Stainless steel 1.4305 bright, screw stainless steel A2-70.
Stainless steel 1.4404 bright, screw stainless steel A4-70.
Aluminium bright, screw stainless steel A2-70.

Note:

Two-piece shaft collars surround the shaft with an equal distribution of the clamping force. This leads to a very precise fit and high retaining force without damaging the shaft.

The shaft tolerance should lie within h11.

The two-part design enables simple and quick assembly without having to dismantle adjacent components.

The shaft collars made of A4 stainless steel have a small centre point mark on the OD.

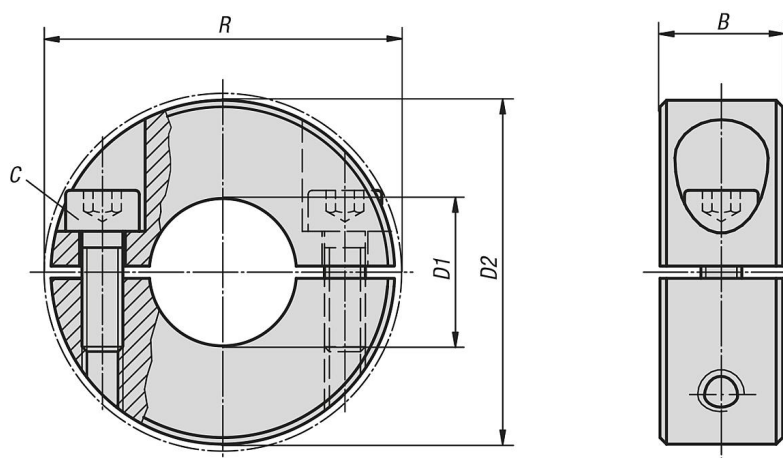
Temperature range:

-40 °C - +175 °C.

On request:

Other dimensions.

Drawings



Overview of items

Shaft collars two-piece

Overview of items

Shaft collars two-piece

Order No.	Main material	B	C (DIN 912)	D1	D2	R
K0612.00401	steel	9	M3x8	4	16	20,7
K0612.00501	steel	9	M3x8	5	16	20,7
K0612.00601	steel	9	M3x8	6	16	20,7
K0612.00801	steel	9	M3x8	8	18	22,4
K0612.01001	steel	9	M3x10	10	24	26
K0612.01201	steel	11	M4x12	12	28	31,8
K0612.01501	steel	13	M5x16	15	34	39,4
K0612.01601	steel	13	M5x16	16	34	39,4
K0612.01801	steel	13	M5x16	18	36	41,1
K0612.02001	steel	15	M6x18	20	40	46,4
K0612.02201	steel	15	M6x18	22	42	48,1
K0612.02501	steel	15	M6x18	25	45	50,8
K0612.02801	steel	15	M6x18	28	48	53,7
K0612.03001	steel	15	M6x18	30	54	58,6
K0612.04001	steel	15	M6x18	40	60	65
K0612.05001	steel	19	M8x25	50	78	87
K0612.00402	stainless steel	9	M3x8	4	16	20,7
K0612.00502	stainless steel	9	M3x8	5	16	20,7
K0612.00602	stainless steel	9	M3x8	6	16	20,7
K0612.00802	stainless steel	9	M3x8	8	18	22,4
K0612.01002	stainless steel	9	M3x10	10	24	26
K0612.01202	stainless steel	11	M4x12	12	28	31,8
K0612.01502	stainless steel	13	M5x16	15	34	39,4
K0612.01602	stainless steel	13	M5x16	16	34	39,4
K0612.01802	stainless steel	13	M5x16	18	36	41,1
K0612.02002	stainless steel	15	M6x18	20	40	46,4
K0612.02202	stainless steel	15	M6x18	22	42	48,1
K0612.02502	stainless steel	15	M6x18	25	45	50,8
K0612.02802	stainless steel	15	M6x18	28	48	53,7
K0612.03002	stainless steel	15	M6x18	30	54	58,6
K0612.04002	stainless steel	15	M6x18	40	60	65
K0612.05002	stainless steel	19	M8x25	50	78	87
K0612.00404	stainless steel A4	9	M3x8	4	16	20,7
K0612.00504	stainless steel A4	9	M3x8	5	16	20,7
K0612.00604	stainless steel A4	9	M3x8	6	16	20,7
K0612.00804	stainless steel A4	9	M3x8	8	18	22,4
K0612.01004	stainless steel A4	9	M3x10	10	24	26
K0612.01204	stainless steel A4	11	M4x12	12	28	31,8
K0612.01504	stainless steel A4	13	M5x16	15	34	39,4
K0612.01604	stainless steel A4	13	M5x16	16	34	39,4
K0612.01804	stainless steel A4	13	M5x16	18	36	41,1
K0612.02004	stainless steel A4	15	M6x18	20	40	46,4
K0612.02204	stainless steel A4	15	M6x18	22	42	48,1
K0612.02504	stainless steel A4	15	M6x18	25	45	50,8
K0612.02804	stainless steel A4	15	M6x18	28	48	53,7
K0612.03004	stainless steel A4	15	M6x18	30	54	58,6
K0612.04004	stainless steel A4	15	M6x18	40	60	65
K0612.05004	stainless steel A4	19	M8x25	50	78	87
K0612.00403	aluminium	9	M3x8	4	16	20,7
K0612.00503	aluminium	9	M3x8	5	16	20,7
K0612.00603	aluminium	9	M3x8	6	16	20,7
K0612.00803	aluminium	9	M3x8	8	18	22,4
K0612.01003	aluminium	9	M3x10	10	24	26
K0612.01203	aluminium	11	M4x12	12	28	31,8
K0612.01503	aluminium	13	M5x16	15	34	39,4
K0612.01603	aluminium	13	M5x16	16	34	39,4
K0612.01803	aluminium	13	M5x16	18	36	41,1
K0612.02003	aluminium	15	M6x18	20	40	46,4
K0612.02203	aluminium	15	M6x18	22	42	48,1
K0612.02503	aluminium	15	M6x18	25	45	50,8

Shaft collars two-piece

Overview of items

Order No.	Main material	B	C (DIN 912)	D1	D2	R
K0612.02803	aluminium	15	M6x18	28	48	53,7
K0612.03003	aluminium	15	M6x18	30	54	58,6
K0612.04003	aluminium	15	M6x18	40	60	65
K0612.05003	aluminium	19	M8x25	50	78	87