

Levelling feet plates steel or stainless steel, Form C

Item description/product images



Description

Material:

Plate steel or stainless steel 1.4301.

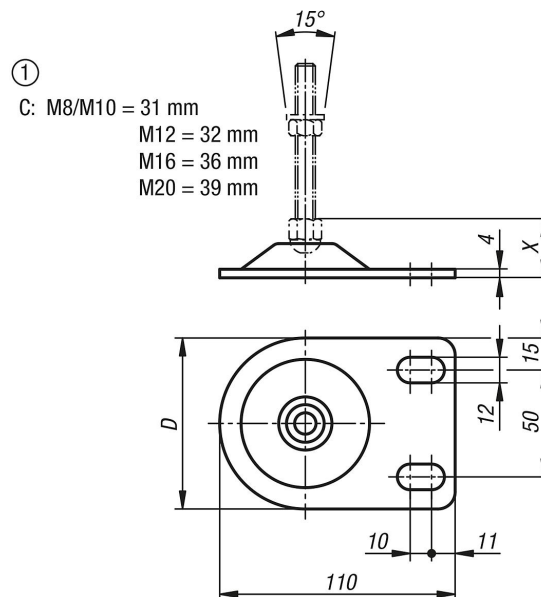
Version:

Steel chrome-plated.
Stainless steel polished.

Note:

Levelling feet consist of a plate and a threaded spindle.
Any plate can be combined with any threaded spindle.
For matching threaded spindles, see K0669.

Drawings



Overview of items

Order No.	Main material	Form	D	Load rating max. kN
K0672.30801	steel	C	80	20
K0672.30802	stainless steel	C	80	20