

Levelling feet threaded spindles steel or stainless steel

Item description/product images



Description

Material:

Steel or stainless steel 1.4301.

Version:

Steel electro zinc-plated.

Stainless steel bright.

Note:

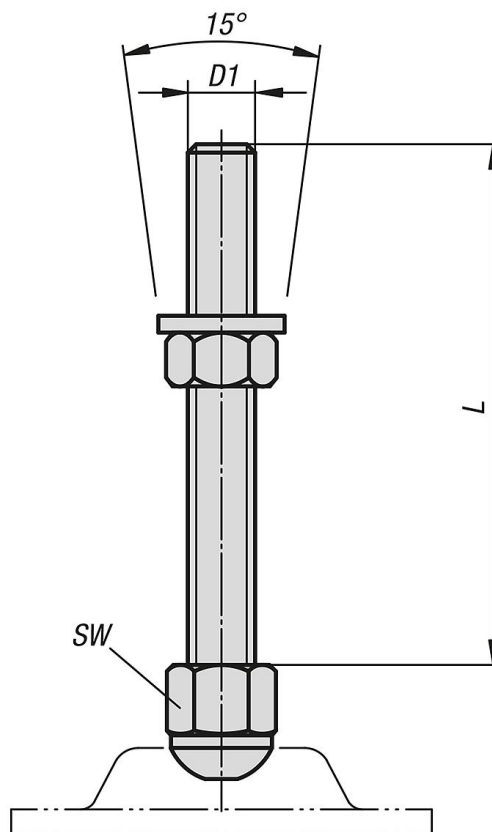
Levelling feet consist of a plate and a threaded spindle. Any threaded spindle can be combined with any plate.

Accessory:

K0672 Levelling foot plates steel or stainless steel.

K0673 Levelling foot plates with rubber pad steel or stainless steel.

Drawings



Overview of items

Levelling feet threaded spindles steel or stainless steel

Order No.	Main material	D1	L	SW	Load rating max. kN
K0669.080501	steel	M8	50	17	40
K0669.080801	steel	M8	80	17	40

Levelling feet threaded spindles steel or stainless steel

Overview of items

Order No.	Main material	D1	L	SW	Load rating max. kN
K0669.081001	steel	M8	100	17	40
K0669.081201	steel	M8	120	17	40
K0669.081501	steel	M8	150	17	40
K0669.100501	steel	M10	50	17	40
K0669.100801	steel	M10	80	17	40
K0669.101001	steel	M10	100	17	40
K0669.101201	steel	M10	120	17	40
K0669.101501	steel	M10	150	17	40
K0669.120501	steel	M12	50	19	40
K0669.120801	steel	M12	80	19	40
K0669.121001	steel	M12	100	19	40
K0669.121201	steel	M12	120	19	40
K0669.121501	steel	M12	150	19	40
K0669.160501	steel	M16	50	24	40
K0669.160801	steel	M16	80	24	40
K0669.161001	steel	M16	100	24	40
K0669.161201	steel	M16	120	24	40
K0669.161501	steel	M16	150	24	40
K0669.200501	steel	M20	50	30	40
K0669.200801	steel	M20	80	30	40
K0669.201001	steel	M20	100	30	40
K0669.201201	steel	M20	120	30	40
K0669.201501	steel	M20	150	30	40
K0669.080502	stainless steel	M8	50	17	40
K0669.080802	stainless steel	M8	80	17	40
K0669.081002	stainless steel	M8	100	17	40
K0669.081202	stainless steel	M8	120	17	40
K0669.081502	stainless steel	M8	150	17	40
K0669.100502	stainless steel	M10	50	17	40
K0669.100802	stainless steel	M10	80	17	40
K0669.101002	stainless steel	M10	100	17	40
K0669.101202	stainless steel	M10	120	17	40
K0669.101502	stainless steel	M10	150	17	40
K0669.120502	stainless steel	M12	50	19	40
K0669.120802	stainless steel	M12	80	19	40
K0669.121002	stainless steel	M12	100	19	40
K0669.121202	stainless steel	M12	120	19	40
K0669.121502	stainless steel	M12	150	19	40
K0669.160502	stainless steel	M16	50	24	40
K0669.160802	stainless steel	M16	80	24	40
K0669.161002	stainless steel	M16	100	24	40
K0669.161202	stainless steel	M16	120	24	40
K0669.161502	stainless steel	M16	150	24	40
K0669.200502	stainless steel	M20	50	30	40
K0669.200802	stainless steel	M20	80	30	40
K0669.201002	stainless steel	M20	100	30	40
K0669.201202	stainless steel	M20	120	30	40
K0669.201502	stainless steel	M20	150	30	40