

Quarter-turn locks with cylinder, small version

Item description/product images



Description

Version:

Housing and actuator trivalent passivated.
Tongue electro zinc-plated.

Note:

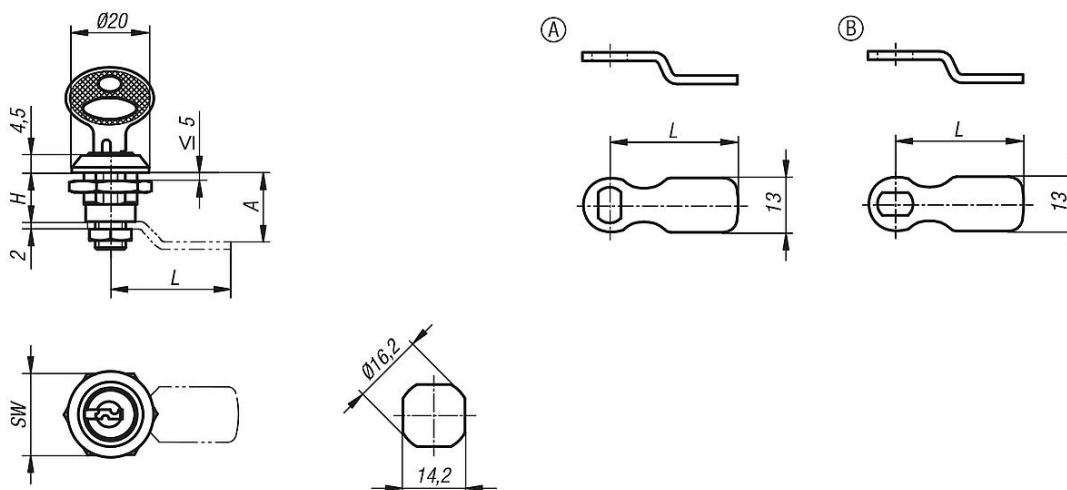
Small quarter turn with cylinder, deployable right or left. The lock can be installed pre-assembled. The fastening nut is an earthing nut with teeth one side. These quarter turns with cylinder are supplied with 2 keys. The key can be removed in both positions (open and closed). All cylinders are identical i.e. all locks can be opened with the same key.

Please order the desired tongue type separately.

On request:

Non-identical cylinders.

Drawings



Overview of items

Quarter-turn locks with cylinder, small version

Order No.	Actuation	H	SW
K0520.131	Key single-key system	13	20

Tongue for quarter-turn locks

Order No.	Form	A	L
K0521.128X105	A	10	28
K0521.124X135	B	13	24
K0521.131X135	B	13	31
K0521.136X135	B	13	36
K0521.130X165	B	16	30
K0521.126X205	B	20	26

