

## Ball joints, DIN 71802, Form C

### Item description/product images



### Description

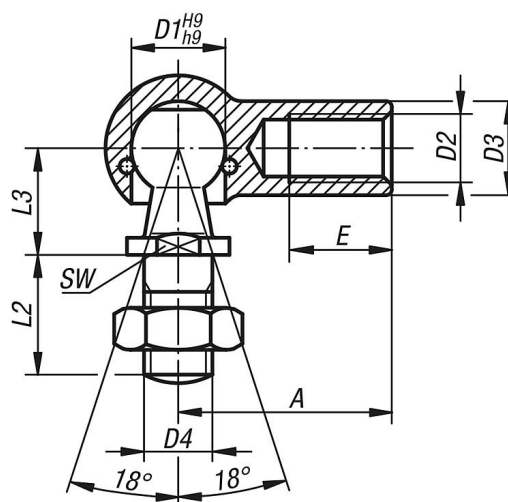
**Material:**  
Steel.

**Version:**  
Trivalent passivated.

**Note:**  
LH thread refers to dimension D2.

### Drawings

Form C  
without circlip



### Overview of items

Order No.	Form	Version	Main material	D1	D2	D3	D4	A	L2	L3	E	SW
K0734.0805	C	RH thread	steel	8	M5	8	M5	22	10,2	9	10,2	7
K0734.1006	C	RH thread	steel	10	M6	10	M6	25	12,5	11	11,5	8
K0734.1308	C	RH thread	steel	13	M8	13	M8	30	16,5	13	14	11
K0734.1610	C	RH thread	steel	16	M10	16	M10	35	20	16	15,5	13
K0734.1612	C	RH thread	steel	16	M12	16	M12	35	20	16	15,5	13
K0734.1914	C	RH thread	steel	19	M14x1,5	22	M14x1,5	45	28	20	21,5	16
K0734.1916	C	RH thread	steel	19	M16	22	M16	45	28	20	21,5	16
K0734.080501	C	LH thread	steel	8	M5	8	M5	22	10,2	9	10,2	7
K0734.100601	C	LH thread	steel	10	M6	10	M6	25	12,5	11	11,5	8
K0734.130801	C	LH thread	steel	13	M8	13	M8	30	16,5	13	14	11
K0734.161001	C	LH thread	steel	16	M10	16	M10	35	20	16	15,5	13
K0734.161201	C	LH thread	steel	16	M12	16	M12	35	20	16	15,5	13
K0734.191401	C	LH thread	steel	19	M14x1,5	22	M14x1,5	45	28	20	21,5	16
K0734.191601	C	LH thread	steel	19	M16	22	M16	45	28	20	21,5	16

