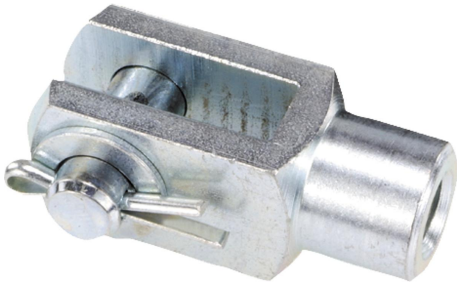


Clevis joints DIN 71752

Item description/product images

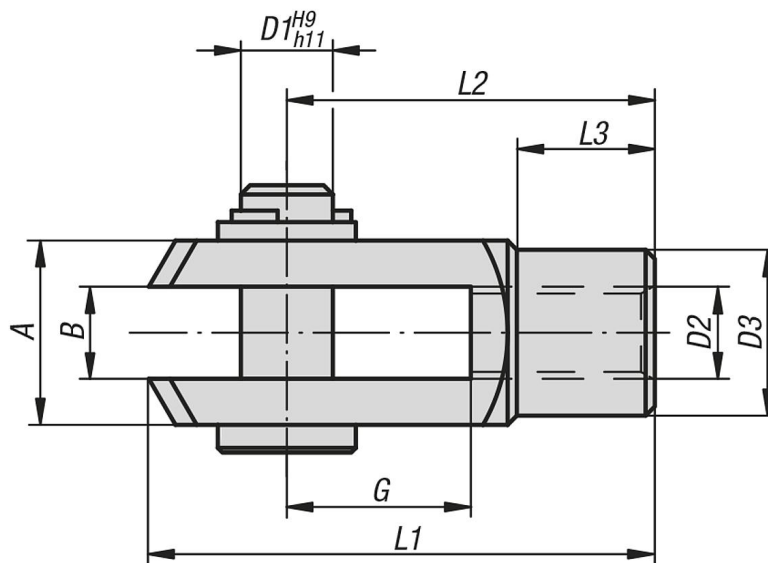


Description

Material:
Steel.

Version:
Electro zinc-plated.

Drawings



Overview of items

Clevis joints DIN 71752

| Order No. | Version 2 | B | G | D1 | D2 | D3 | L1 | L2 | L3 | A |
|-------------|-----------|----|----|----|----------|----|----|----|------|----|
| K0733.0510 | RH thread | 5 | 10 | 5 | M5 | 9 | 26 | 20 | 7,5 | 10 |
| K0733.0612 | RH thread | 6 | 12 | 6 | M6 | 10 | 31 | 24 | 9 | 12 |
| K0733.0816 | RH thread | 8 | 16 | 8 | M8 | 14 | 42 | 32 | 12 | 16 |
| K0733.0832 | RH thread | 8 | 32 | 8 | M8 | 14 | 58 | 48 | 12 | 16 |
| K0733.1020 | RH thread | 10 | 20 | 10 | M10 | 18 | 52 | 40 | 15 | 20 |
| K0733.10120 | RH thread | 10 | 20 | 10 | M10x1,25 | 18 | 52 | 40 | 15 | 20 |
| K0733.1040 | RH thread | 10 | 40 | 10 | M10 | 18 | 72 | 60 | 15 | 20 |
| K0733.10140 | RH thread | 10 | 40 | 10 | M10x1,25 | 18 | 72 | 60 | 15 | 20 |
| K0733.1224 | RH thread | 12 | 24 | 12 | M12 | 20 | 62 | 48 | 18 | 24 |
| K0733.12124 | RH thread | 12 | 24 | 12 | M12x1,25 | 20 | 62 | 48 | 18 | 24 |
| K0733.1248 | RH thread | 12 | 48 | 12 | M12 | 20 | 86 | 72 | 18 | 24 |
| K0733.12148 | RH thread | 12 | 48 | 12 | M12x1,25 | 20 | 86 | 72 | 18 | 24 |
| K0733.1428 | RH thread | 14 | 28 | 14 | M14 | 24 | 72 | 56 | 22,5 | 27 |
| K0733.1632 | RH thread | 16 | 32 | 16 | M16 | 26 | 83 | 64 | 24 | 32 |
| K0733.16132 | RH thread | 16 | 32 | 16 | M16x1,5 | 26 | 83 | 64 | 24 | 32 |
| K0733.05101 | LH thread | 5 | 10 | 5 | M5 | 9 | 26 | 20 | 7,5 | 10 |
| K0733.06121 | LH thread | 6 | 12 | 6 | M6 | 10 | 31 | 24 | 9 | 12 |
| K0733.08161 | LH thread | 8 | 16 | 8 | M8 | 14 | 42 | 32 | 12 | 16 |
| K0733.10201 | LH thread | 10 | 20 | 10 | M10 | 18 | 52 | 40 | 15 | 20 |
| K0733.12241 | LH thread | 12 | 24 | 12 | M12 | 20 | 62 | 48 | 18 | 24 |

Clevis joints DIN 71752

Overview of items

| Order No. | Version 2 | B | G | D1 | D2 | D3 | L1 | L2 | L3 | A |
|-------------|-----------|----|----|----|-----|----|----|----|----|----|
| K0733.16321 | LH thread | 16 | 32 | 16 | M16 | 26 | 83 | 64 | 24 | 32 |