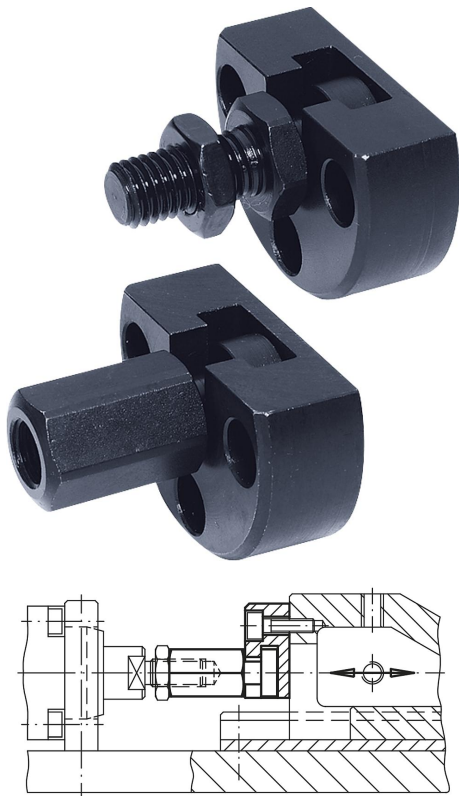


# Quick-fit couplings with radial offset compensation and mounting flange

## Item description/product images



### Description

**Material:**

Coupling part and steel flange.  
Nut (DIN 439), grade 8.8.

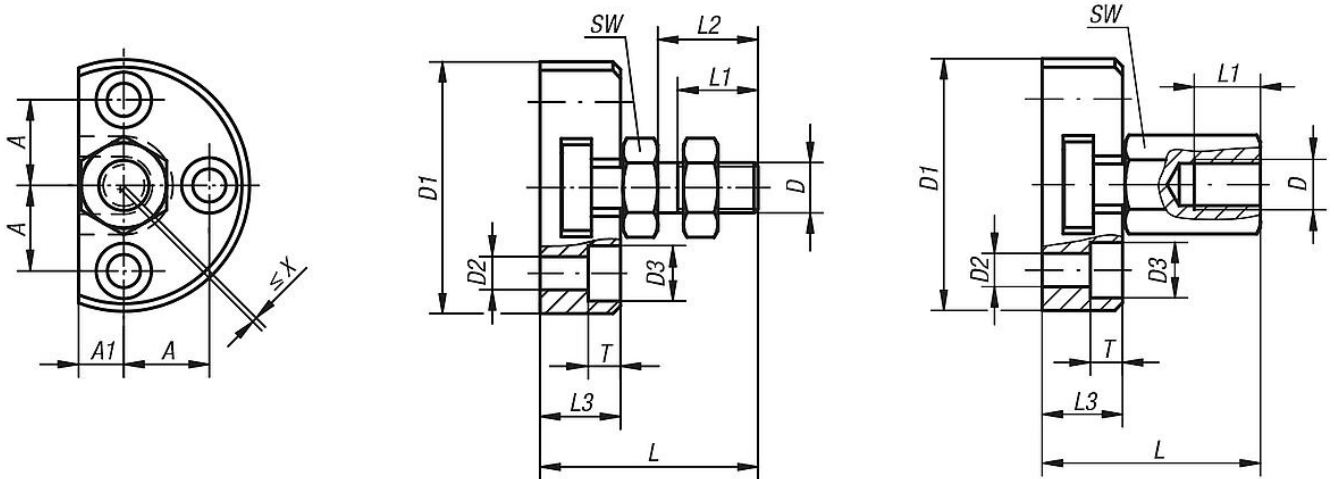
**Version:**

Coupling part and flange tempered and phosphated.  
Nut black oxidised.

**Note:**

Space saving quick-fit couplings with radial offset compensation suitable for multiple applications, e.g. as a link between a piston rod and a linear-movement unit. Assembly and disassembly of this simple, solid and two-part coupling is with a T-slot, a manual re-adjustment is not necessary. The quick-fit coupling can be linked to all commonly used pneumatic and hydraulic lifting cylinders via the connecting thread. The quick-fit coupling does not transmit any torque.

## Drawings



## Overview of items

### Quick-fit couplings with radial offset compensation and mounting flange

Order No.	Version	D	D1	D2	D3	A	A1	L	L1	L2	L3	T	SW	radial offset compensation X max.	Max. permissible tensile and compressive stress kN
K0710.06	internal thread	M6	42	5,5	10	14	7	30,5	11	-	11	5,4	10	0,6	2,5
K0710.08	internal thread	M8	48	6,6	11	16	8	35,5	13,5	-	13	6,4	13	0,7	4,5
K0710.10	internal thread	M10	50	6,6	11	17	9	43,2	15	-	16	6,4	17	0,7	6,5

## Quick-fit couplings with radial offset compensation and mounting flange

### Overview of items

Order No.	Version	D	D1	D2	D3	A	A1	L	L1	L2	L3	T	SW	radial offset compensation X max.	Max. permissible tensile and compressive stress kN
<b>K0710.101</b>	internal thread	M10x1,25	50	6,6	11	17	9	43,2	15	-	16	6,4	17	0,7	6,5
<b>K0710.12</b>	internal thread	M12	55	6,6	11	19	10	53,2	17,5	-	20,5	6,4	19	0,8	10
<b>K0710.121</b>	internal thread	M12x1,25	55	6,6	11	19	10	53,2	17,5	-	20,5	6,4	19	0,8	10
<b>K0710.16</b>	internal thread	M16	65	9	15	22,5	12,5	64	22	-	23	8,5	24	1	18
<b>K0710.161</b>	internal thread	M16x1,5	65	9	15	22,5	12,5	64	22	-	23	8,5	24	1	18
<b>K0710.20</b>	internal thread	M20	80	11	18	28	17	74	25	-	26	10	30	1	30
<b>K0710.201</b>	internal thread	M20x1,5	80	11	18	28	17	74	25	-	26	10	30	1	30
<b>K0710.0614</b>	external thread	M6	42	5,5	10	14	7	30,5	11	14	11	5,4	10	0,6	2,5
<b>K0710.0817</b>	external thread	M8	48	6,6	11	16	8	35,5	13,5	17	13	6,4	13	0,7	4,5
<b>K0710.1020</b>	external thread	M10	50	6,6	11	17	9	43,2	16	20	16	6,4	17	0,7	6,5
<b>K0710.10201</b>	external thread	M10x1,25	50	6,6	11	17	9	43,2	16	20	16	6,4	17	0,7	6,5
<b>K0710.1225</b>	external thread	M12	55	6,6	11	19	10	53,2	21	25	20,5	6,4	19	0,8	10
<b>K0710.12251</b>	external thread	M12x1,25	55	6,6	11	19	10	53,2	21	25	20,5	6,4	19	0,8	10
<b>K0710.1630</b>	external thread	M16	65	9	15	22,5	12,5	64	25	30	23	8,5	24	1	18
<b>K0710.16301</b>	external thread	M16x1,5	65	9	15	22,5	12,5	64	25	30	23	8,5	24	1	18
<b>K0710.2035</b>	external thread	M20	80	11	18	28	17	74	29	35	26	10	30	1	30
<b>K0710.20351</b>	external thread	M20x1,5	80	11	18	28	17	74	29	35	26	10	30	1	30