

Round and square tubes

Item description/product images



Description

Material:

Steel 1.0037.
Aluminium EN AW-6060.

Version:

Steel electro zinc-plated.
Aluminium anodised.

Note:

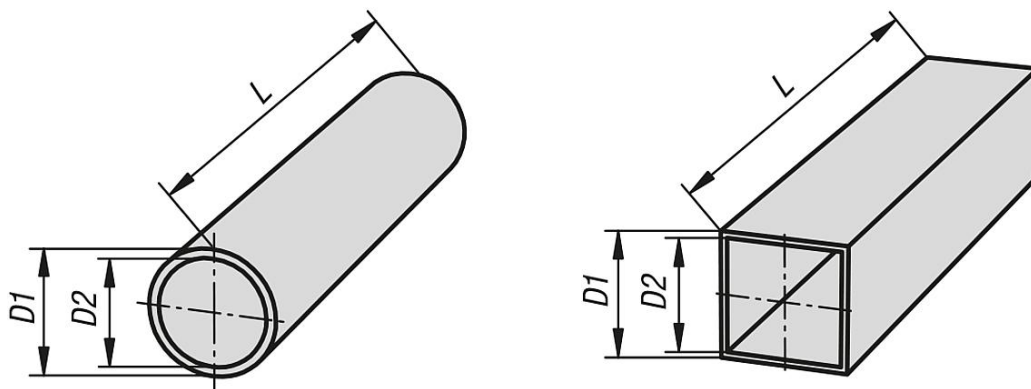
The machined tolerances of these round and square tubes are individually matched to the tube clamping system.

*Square aluminium size 10x10 are only available as solid bars.

On request:

- Custom cut length (L max. 5000 mm)
- Stainless steel tube (L max. 3000 mm)

Drawings



Overview of items

Round tubes

Order No.	Item	Main material	Description	D1	D2	L
K0493.0112X	Round Tube	steel	Ø12 x 1,5	12 ±0,1	9	500/1000/2000
K0493.0114X	Round Tube	steel	Ø14 x 1,5	14 ±0,1	11	500/1000/2000
K0493.0115X	Round Tube	steel	Ø15 x 1,5	15 ±0,1	12	500/1000/2000
K0493.0116X	Round Tube	steel	Ø16 x 1,5	16 ±0,1	13	500/1000/2000
K0493.0118X	Round Tube	steel	Ø18 x 1,5	18 ±0,1	15	500/1000/2000
K0493.0120X	Round Tube	steel	Ø20 x 2	20 ±0,1	16	500/1000/2000
K0493.0125X	Round Tube	steel	Ø25 x 2	25 ±0,1	21	500/1000/2000
K0493.0130X	Round Tube	steel	Ø30 x 2	30 ±0,1	26	500/1000/2000
K0493.0140X	Round Tube	steel	Ø40 x 4	40 ±0,15	32	500/1000/2000
K0493.0150X	Round Tube	steel	Ø50 x 4	50 ±0,2	42	500/1000/2000
K0493.0220X	Round Tube	aluminium	Ø20 x 3	20 ±0,1	14	500/1000/2000
K0493.0230X	Round Tube	aluminium	Ø30 x 2	30 ±0,1	26	500/1000/2000

Round and square tubes

Overview of items

Order No.	Item	Main material	Description	D1	D2	L
K0493.0240X	Round Tube	aluminium	Ø40 x 3	40 ±0,15	34	500/1000/2000
K0493.0250X	Round Tube	aluminium	Ø50 x 3	50 ±0,2	44	500/1000/2000

Square tubes

Order No.	Item	Main material	Description	D1	D2	L
K0493.4120X	Square Tube	steel	20 x 20 x 1	20 ±0,3	18	500/1000/2000
K0493.4125X	Square Tube	steel	25 x 25 x 1,5	25 ±0,3	22	500/1000/2000
K0493.4130X	Square Tube	steel	30 x 30 x 2	30 ±0,3	26	500/1000/2000
K0493.4140X	Square Tube	steel	40 x 40 x 3	40 ±0,4	34	500/1000/2000
K0493.4210X	Square Tube	aluminium	10 x 10	10*	-	500/1000/2000
K0493.4220X	Square Tube	aluminium	20 x 20 x 1,5	20 ±0,2	17	500/1000/2000
K0493.4230X	Square Tube	aluminium	30 x 30 x 2	30 ±0,2	26	500/1000/2000
K0493.4240X	Square Tube	aluminium	40 x 40 x 4	40 ±0,3	32	500/1000/2000