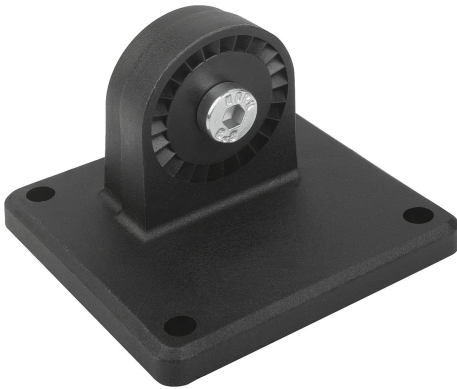


## Tube clamps swivel base sunken teeth, plastic

### Item description/product images



### Description

**Material:**

Thermoplastic.

DIN 7984 screws and DIN 985 nuts steel.

**Version:**

Black.

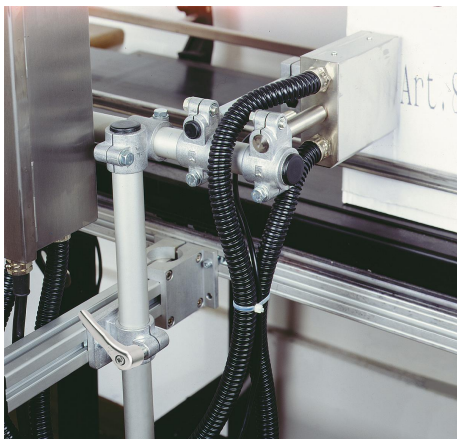
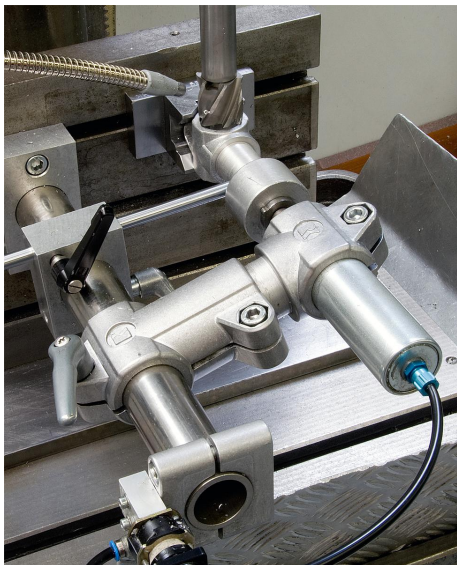
Screws and nuts electro zinc-plated.

**Note:**

Swivel clamp bases can be combined with swivel half clamps with raised teeth (K0485) to make a complete swivel clamp.

**On request:**

Plastic clamping levers for tightening.



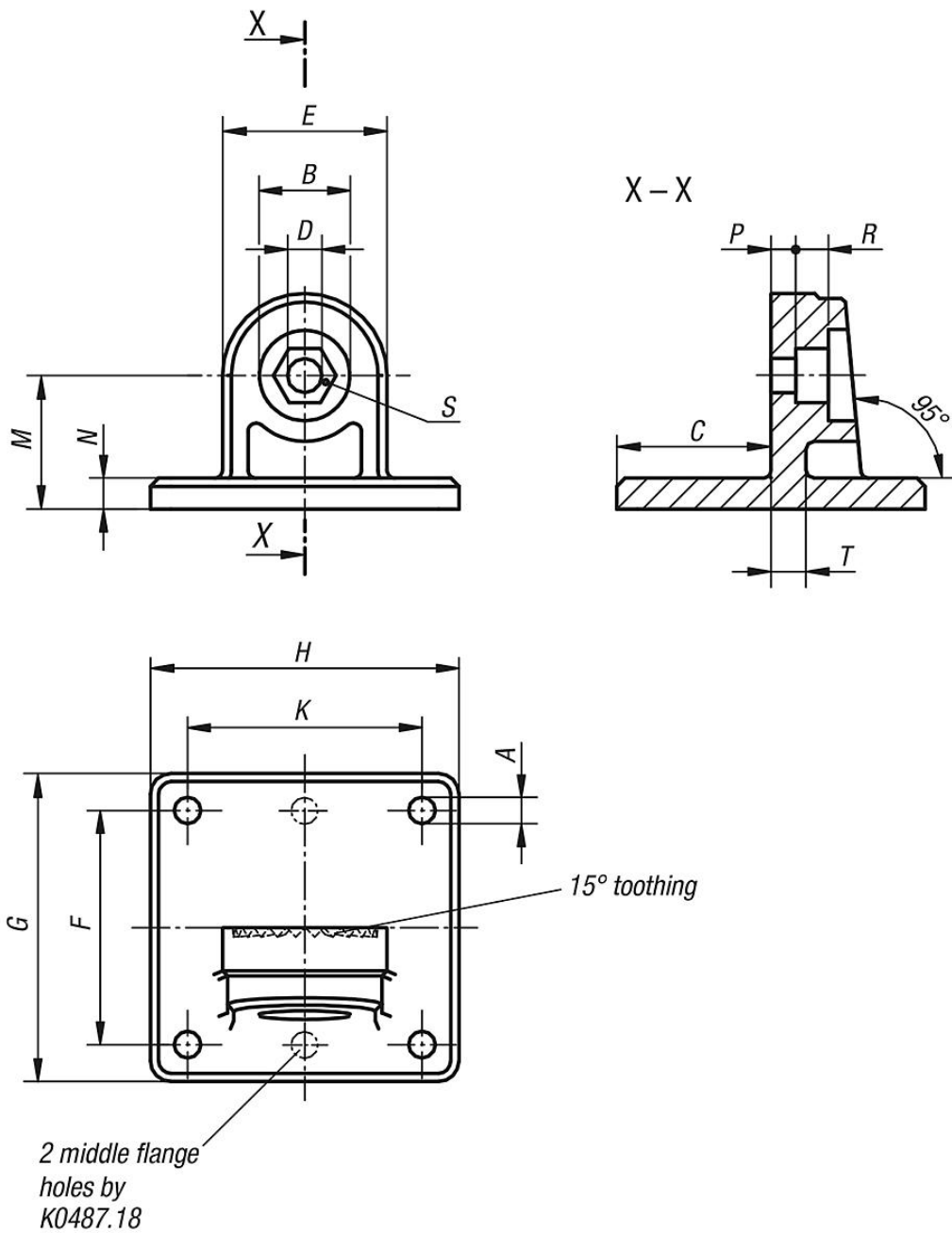
**Tube clamps swivel base sunken teeth, plastic**Item description/product images

---



Tube clamps swivel base sunken teeth, plastic

Drawings



Overview of items

Tube clamps swivel base, sunken teeth, plastic

Order No.	A	B	C	D	E	F	G	H	K	M	N	P	R	S	T
K0487.18	5,3 (2x)	15	25	6,1	25	40	50	35	-	20	5	4,5	5,5	M6-DIN 985	5
K0487.30	6,5 (4x)	22	37,5	8,1	40	60	75	75	60	32,5	7,5	6,6	8,2	M8-DIN 985	7

