

Press-in plugs with dipstick, Form A, without vent

Item description/product images



Description

Material:

Housing, cap in thermoplastic polyamide 66.
Zinc dipstick.
O-ring in rubber (NBR).

Version:

Housing black.
Cap red.
Dipstick phosphated.

Note:

Temperature resistant to 100°C.

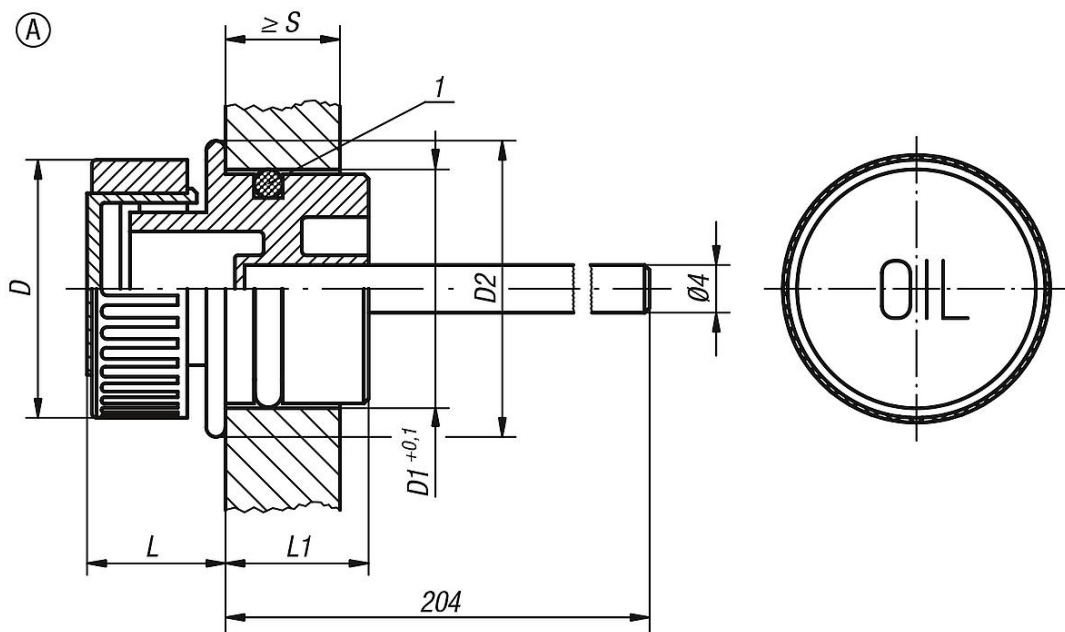
On request:

Min-Max markings.

Drawing reference:

1) O-ring

Drawings



Overview of items

Order No.	Form	D	D1	D2	L	L1	S min.
K0462.13018	A	30	18	23	14	14	8

Press-in plugs with dipstick, Form A, without vent

Overview of items
