

Oil level gauges

Item description/product images



Description

Material:

Housing steel.
Viewing glass thermoplastic polyamide.
O-ring and flat seal rubber (NBR).
Reflector aluminium.
Screw and hex nut steel.

Version:

Housing painted black.
Transparent viewing glass, high mechanical stability, non-ageing, temperature resistant with oil up to 100 °C, with water up to 70 °C.
Reflector painted white, markings and scale black.
Screw and hexagon nut, electro zinc-plated.

Note:

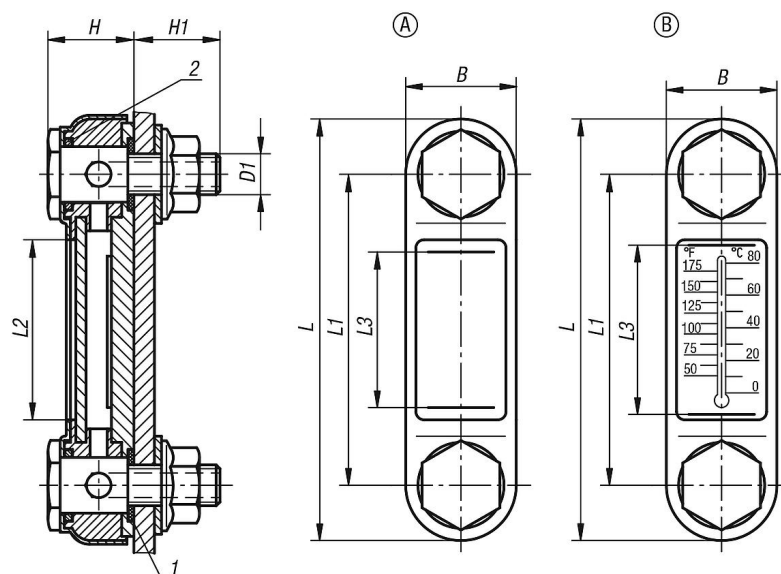
The oil level gauges can either be fastened as shown in the illustration or directly in the threaded hole.
Centre distance for the fastening holes = $L1 \pm 0.5$.
The oil level gauges are suitable for tanks operating without pressure.
Maximum operating temperature: 100 °C.

Drawing reference:

Form A: without thermometer
Form B: with thermometer

- 1) flat seal
- 2) O-ring

Drawings



Overview of items

Oil level gauges

Overview of items

Oil level gauges

Order No.	Form	B	D1	H	H1	L	L1	L2	L3	Number of fastening screws	Thermometer scale
K0444.107610	A	31	M10	24,5	20	107	76	39	37	2	-
K0444.107612	A	31	M12	24,5	20	107	76	39	37	2	-
K0444.112710	A	31	M10	24,5	20	156	127	90	80	2	-
K0444.112712	A	31	M12	24,5	20	156	127	90	80	2	-
K0444.125412	A	34	M12	33	17	286	254	200	178	2	-
K0444.207610	B	31	M10	24,5	20	107	76	39	37	2	0 - 80 °C / 50 - 175 °F
K0444.207612	B	31	M12	24,5	20	107	76	39	37	2	0 - 80 °C / 50 - 175 °F
K0444.212710	B	31	M10	24,5	20	156	127	90	80	2	0 - 100 °C / 50 - 200 °F
K0444.212712	B	31	M12	24,5	20	156	127	90	80	2	0 - 100 °C / 50 - 200 °F
K0444.225412	B	34	M12	33	17	286	254	200	178	2	0 - 100 °C / 50 - 200 °F