

Hinges die-cast zinc, with locking lever

Item description/product images



Description

Material:

Hinge die-cast zinc.

Hinge pin steel.

Lever fibreglass reinforced thermoplastic.

Mechanism steel.

Version:

Hinge black powder-coated.

Pin electro zinc-plated.

Lever black.

Mechanism black electro zinc-plated.

Note:

The indexible lever enables the hinge to be locked in any position.

The hinges are available with or without guide tabs for aluminium profile slots.

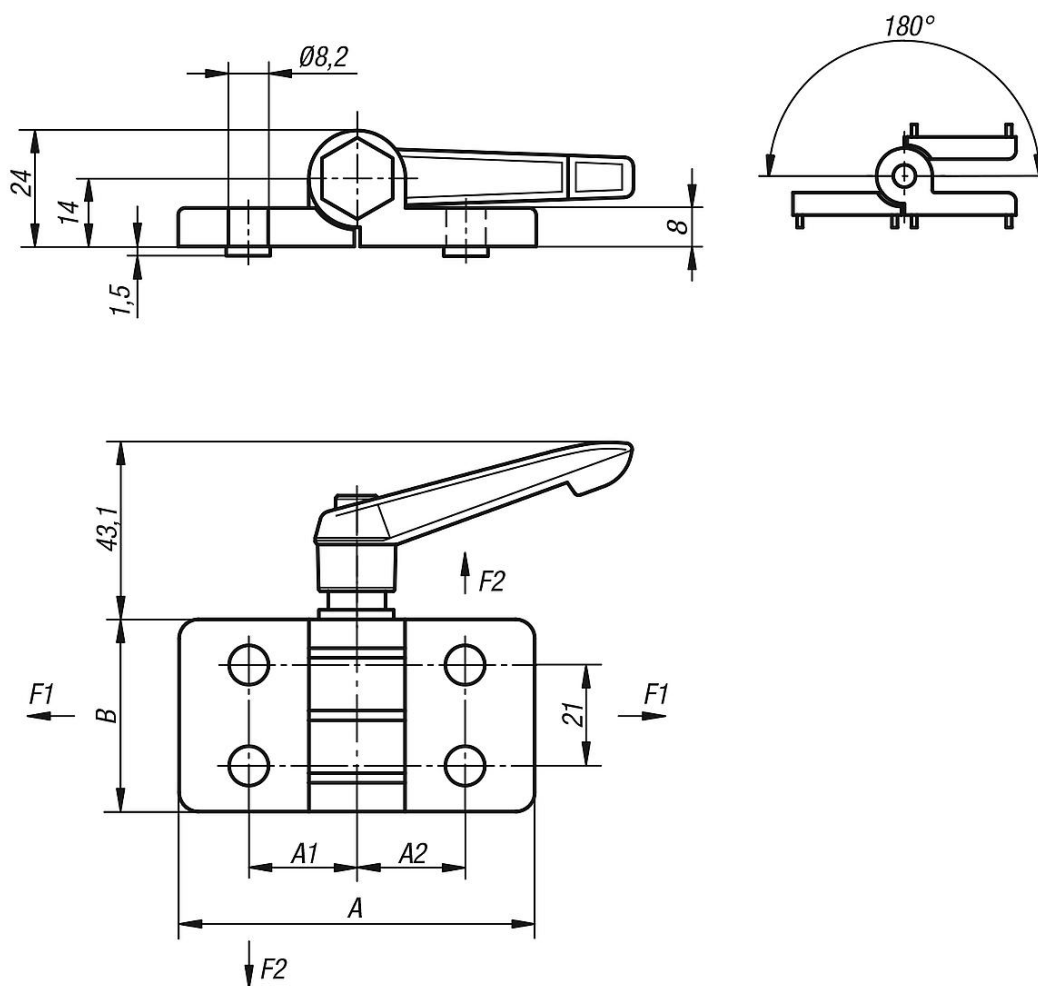
The loading values given for the hinges are non-binding reference values without consideration of safety factors and exclude any liability. The values given are for information purposes only and do not constitute a legally binding assurance of properties.

The load values have been determined under laboratory conditions. Each user must determine individually whether the hinge is suitable for the respective application.

Different materials onto which the hinges are installed and the type of mounting, weather conditions and wear can influence the determined values.

Hinges die-cast zinc, with locking lever

Drawings



Overview of items

Hinges die-cast zinc, with locking lever

Order No.	A	A1	A2	B	Guide tabs for slot	F1 N	F2 N
K0442.40232300	74	22,5	22,5	40	-	1500	650
K0442.40232308	74	22,5	22,5	40	8	1500	650
K0442.40232310	74	22,5	22,5	40	10	1500	650
K0442.40232500	74	22,5	25	40	-	1500	650
K0442.40232508	74	22,5	25	40	8	1500	650
K0442.40232510	74	22,5	25	40	10	1500	650
K0442.45252500	74	25	25	40	-	1500	650
K0442.45252508	74	25	25	40	8	1500	650
K0442.45252510	74	25	25	40	10	1500	650