

Levelling feet for aluminium profiles

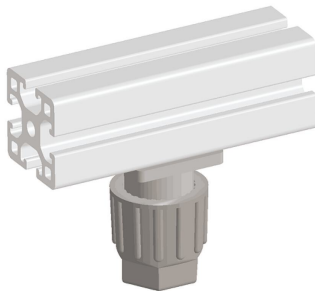
Item description/product images



Profile end mounted



Side mounted in profile keyway
no drilling required when using a T-slot nut



Description

Material:

Body fibreglass reinforced thermoplastic.
Spindle and washer steel.

Version:

Body black.
Spindle and washer electro zinc-plated.

Note:

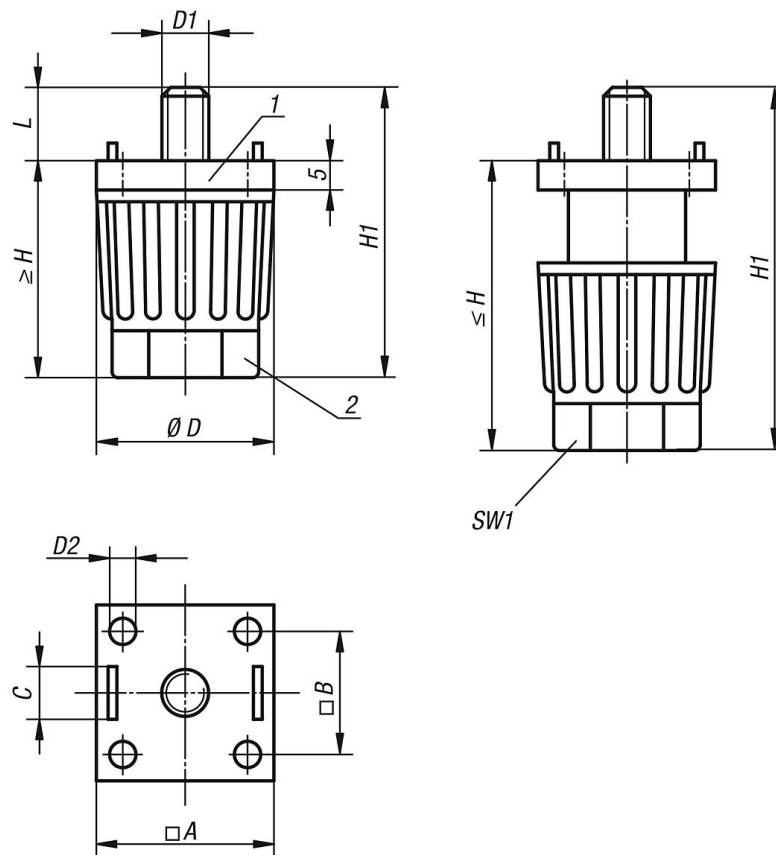
These levelling feet are suitable for tables and lighter installations. The foot height is adjusted by turning the base nut by hand or spanner. The pins on the top flange centre the foot and prevent it turning. These levelling feet can be attached to aluminium profiles using T-slot nuts, no need for drilling.

Drawing reference:

- 1) support flange
- 2) nut

Levelling feet for aluminium profiles

Drawings



Overview of items

Levelling feet for aluminium profiles

Order No.	A for aluminium profile	B	C for slot	D	D1	D2 for countersunk screw	H	H1	L	SW1	Load rating max. kN (static load only)
K0432.300806	30	20,5	8	30	M6	M4	35-50	44-59	9	22	1,5
K0432.300808	30	20,5	8	30	M8	M4	35-50	44-59	9	22	1,5
K0432.400808	40	28	8	40	M8	M6	45-65	54-74	9	30	1,5
K0432.401006	40	28	10	40	M6	M6	45-65	54-74	9	30	1,5
K0432.401008	40	28	10	40	M8	M6	45-65	54-74	9	30	1,5