

## Levelling feet plates die-cast zinc or stainless steel

### Item description/product images



### Description

#### Material:

Plate die-cast zinc or stainless steel 1.4305.  
Anti-slip plate thermoplastic elastomer.

#### Version:

Die-cast zinc plate, black powder-coated.  
Stainless steel plate, bright.

#### Note:

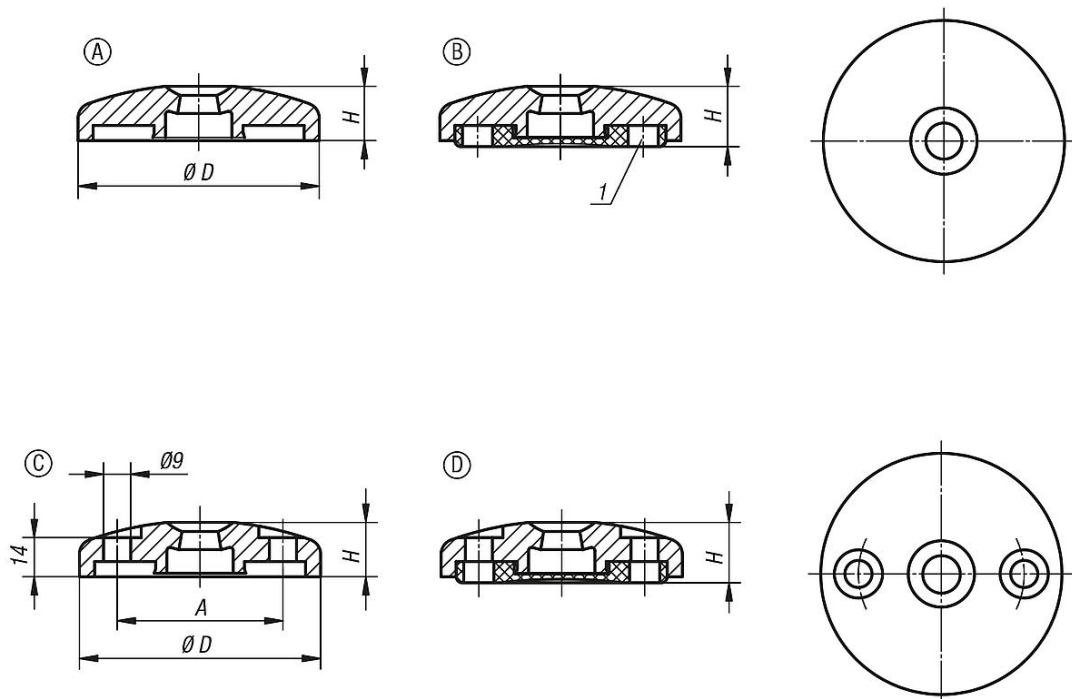
Levelling feet consist of a plate and a threaded spindle. Any plate can be combined with any threaded spindle.  
The anti-slip plate absorbs vibrations and prevents the levelling foot slipping.  
For matching threaded spindles see K0427.

#### Drawing reference:

Form A without screw-on hole, without anti-slip plate  
Form B without screw-on hole, with anti-slip plate  
Form C with screw-on hole (open), without anti-slip plate  
Form D with screw-on hole (open), with anti-slip plate

1) From plate  $\varnothing 80$

### Drawings



### Overview of items

#### Levelling feet plates die-cast zinc

## Levelling feet plates die-cast zinc or stainless steel

### Overview of items

Order No.	Form	Main material	D	A	H	Load rating max. kN
K0425.10401	A	zinc	40	-	18	20
K0425.10451	A	zinc	45	-	18	25
K0425.10501	A	zinc	50	-	18	25
K0425.10601	A	zinc	60	-	18	35
K0425.10801	A	zinc	80	-	18	35
K0425.11001	A	zinc	100	-	18	35
K0425.11201	A	zinc	120	-	18	35
K0425.10602	A	stainless steel	60	-	18	45
K0425.10802	A	stainless steel	80	-	18	45
K0425.11002	A	stainless steel	100	-	18	45
K0425.20601	B	zinc	60	-	20	35
K0425.20801	B	zinc	80	-	20	35
K0425.21001	B	zinc	100	-	20	35
K0425.21201	B	zinc	120	-	20	35
K0425.20602	B	stainless steel	60	-	20	45
K0425.20802	B	stainless steel	80	-	20	45
K0425.21002	B	stainless steel	100	-	20	45
K0425.30801	C	zinc	80	55	18	35
K0425.31001	C	zinc	100	74	18	35
K0425.30802	C	stainless steel	80	55	18	45
K0425.31002	C	stainless steel	100	74	18	45
K0425.40801	D	zinc	80	55	20	35
K0425.41001	D	zinc	100	74	20	35
K0425.40802	D	stainless steel	80	55	20	45
K0425.41002	D	stainless steel	100	74	20	45