

Swivel feet, Form G

Item description/product images



Description

Material, version:

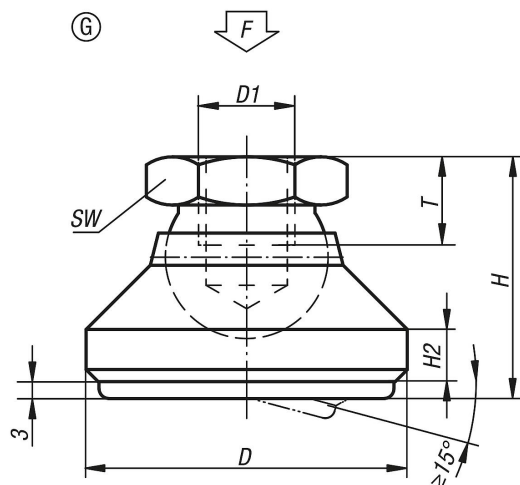
Form G: Foot carbon steel, ball element case-hardened steel, black oxidised.

Anti-slip plate thermoplastic elastomer.

Note:

The anti-slip plate absorbs vibrations and prevents the swivel foot slipping
The loading indicated in the table is a recommendation up to which permanent static load the swivel foot can be used.

Drawings



Overview of items

| Order No. | Form | D | D1 | H | H2 | T | SW | Load rating max. kN (static load only) |
|-----------|------|----|-----|----|----|----|----|--|
| K0395.410 | G | 32 | M10 | 25 | 5 | 10 | 17 | 12 |
| K0395.412 | G | 40 | M12 | 29 | 6 | 12 | 19 | 17 |
| K0395.416 | G | 50 | M16 | 35 | 7 | 14 | 24 | 20 |
| K0395.420 | G | 60 | M20 | 45 | 8 | 18 | 30 | 24 |