

Swivel feet, Form A and B

Item description/product images



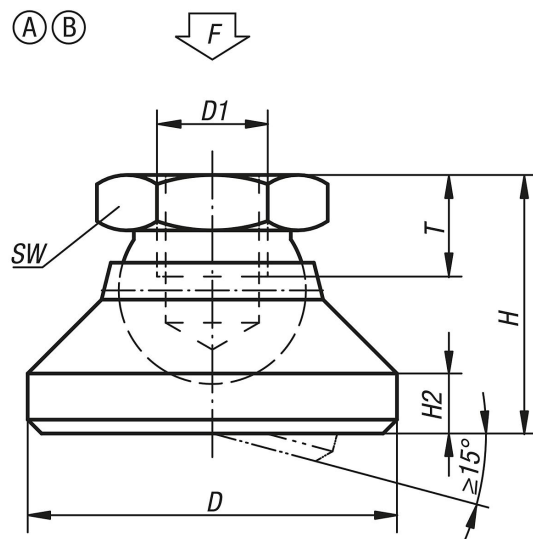
Description

Material, version:

Form A: Foot high-carbon steel, ball element case-hardened steel, black oxidised.

Form B: Stainless steel, bright.

Drawings



Overview of items

Swivel feet

Swivel feet, Form A and B

Overview of items

Order No.	Form	D	D1	H	H2	T	SW	Load rating max. kN
K0395.106	A	20	M6	15	2,5	8,5	10	10
K0395.108	A	25	M8	18	4	9	13	18
K0395.110	A	32	M10	22	5	10	17	20
K0395.112	A	40	M12	26	6	12	19	35
K0395.116	A	50	M16	32	7	14	24	45
K0395.120	A	60	M20	42	8	18	30	55
K0395.306	B	20	M6	15	2,5	8,5	10	10
K0395.308	B	25	M8	18	4	9	13	18
K0395.310	B	32	M10	22	5	10	17	20
K0395.312	B	40	M12	26	6	12	19	35
K0395.316	B	50	M16	32	7	14	24	45
K0395.320	B	60	M20	42	8	18	30	55