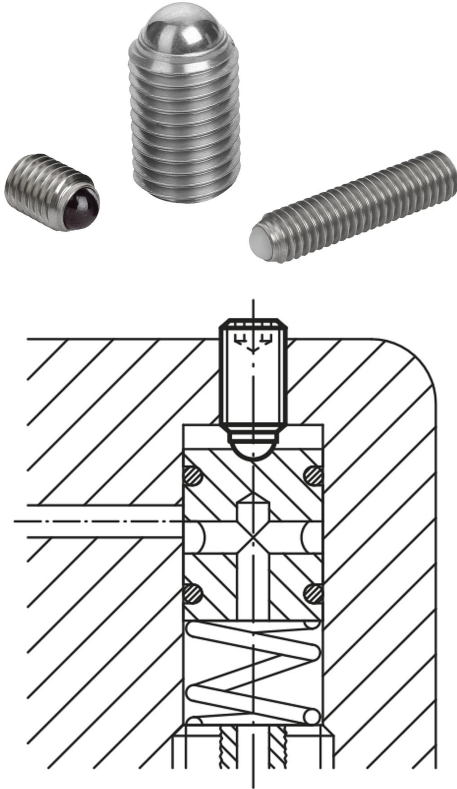


## Ball-end thrust screws without head stainless steel with full ball

### Item description/product images



### Description

#### Material:

Screw stainless steel.

Ball stainless steel, POM or ceramic  $\text{Si}_3\text{N}_4$ .

#### Version:

Stainless steel bright.

#### Note:

Ball-end thrust screws with full ball are used when a clean, polished contact surface is required. Longer versions have been designed especially to be glued in, allowing mechanical connecting elements with external threads to be made cost-effectively for small and medium-sized runs. Silicon nitride ( $\text{Si}_3\text{N}_4$ ) is characterised by a combination of excellent properties, these include high resilience and strength, excellent wear resistance and good chemical resistance.

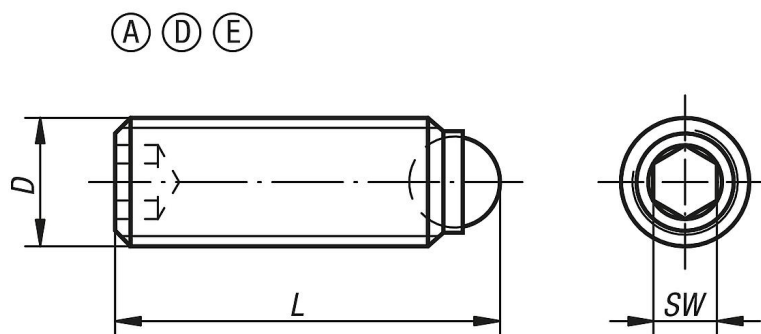
#### Drawing reference:

Form A: stainless steel ball

Form D: POM ball

Form E: ceramic ball

### Drawings



### Overview of items

#### Ball-end thrust screws without head, stainless steel, with full ball

Order No.	Form	D	L	Ball-Ø	SW	Load rating max. kN (static load only)
K0384.10410	A	M4	10	2,5	2	3,5
K0384.10412	A	M4	12	2,5	2	3,5
K0384.10416	A	M4	16	2,5	2	3,5
K0384.1046	A	M4	6	2,5	2	3,5

## Ball-end thrust screws without head stainless steel with full ball

### Overview of items

Order No.	Form	D	L	Ball-Ø	SW	Load rating max. kN (static load only)
K0384.1048	A	M4	8	2,5	2	3,5
K0384.10510	A	M5	10	3	2,5	4,5
K0384.10512	A	M5	12	3	2,5	4,5
K0384.10516	A	M5	16	3	2,5	4,5
K0384.10520	A	M5	20	3	2,5	4,5
K0384.10525	A	M5	25	3	2,5	4,5
K0384.1058	A	M5	8	3	2,5	4,5
K0384.10610	A	M6	10,8	4	3	9
K0384.10612	A	M6	12,8	4	3	9
K0384.10616	A	M6	16,8	4	3	9
K0384.10620	A	M6	20,8	4	3	9
K0384.10625	A	M6	25,8	4	3	9
K0384.10650	A	M6	50,8	4	3	9
K0384.10660	A	M6	60,8	4	3	9
K0384.10680	A	M6	80,8	4	3	9
K0384.10810	A	M8	11,2	5,5	4	10
K0384.10812	A	M8	13,2	5,5	4	10
K0384.10816	A	M8	17,2	5,5	4	15
K0384.10820	A	M8	21,2	5,5	4	15
K0384.10825	A	M8	26,2	5,5	4	15
K0384.10830	A	M8	31,2	5,5	4	15
K0384.10850	A	M8	51,2	5,5	4	15
K0384.10860	A	M8	61,2	5,5	4	15
K0384.10880	A	M8	81,2	5,5	4	15
K0384.11012	A	M10	13,7	7	5	20
K0384.11016	A	M10	17,7	7	5	20
K0384.11020	A	M10	21,7	7	5	20
K0384.11025	A	M10	26,7	7	5	20
K0384.11035	A	M10	36,7	7	5	20
K0384.11216	A	M12	18	8,5	6	30
K0384.11220	A	M12	22	8,5	6	30
K0384.11225	A	M12	27	8,5	6	30
K0384.11230	A	M12	32	8,5	6	30
K0384.11232	A	M12	34	8,5	6	30
K0384.11240	A	M12	42	8,5	6	30
K0384.11620	A	M16	23,3	12	8	60
K0384.11625	A	M16	28,3	12	8	60
K0384.11635	A	M16	38,3	12	8	60
K0384.11650	A	M16	53,3	12	8	60
K0384.30410	D	M4	10	2,5	2	0,3
K0384.30412	D	M4	12	2,5	2	0,3
K0384.30416	D	M4	16	2,5	2	0,3
K0384.3046	D	M4	6	2,5	2	0,3
K0384.3048	D	M4	8	2,5	2	0,3
K0384.30510	D	M5	10	3	2,5	0,5
K0384.30512	D	M5	12	3	2,5	0,5
K0384.30516	D	M5	16	3	2,5	0,5
K0384.30520	D	M5	20	3	2,5	0,5
K0384.30525	D	M5	25	3	2,5	0,5
K0384.3058	D	M5	8	3	2,5	0,5
K0384.30610	D	M6	10,8	4	3	0,9
K0384.30612	D	M6	12,8	4	3	0,9
K0384.30616	D	M6	16,8	4	3	0,9
K0384.30620	D	M6	20,8	4	3	0,9
K0384.30625	D	M6	25,8	4	3	0,9
K0384.30810	D	M8	11,2	5,5	4	1,5
K0384.30812	D	M8	13,2	5,5	4	1,5
K0384.30816	D	M8	17,2	5,5	4	1,5
K0384.30820	D	M8	21,2	5,5	4	1,5
K0384.30825	D	M8	26,2	5,5	4	1,5
K0384.30830	D	M8	31,2	5,5	4	1,5

## Ball-end thrust screws without head stainless steel with full ball

### Overview of items

Order No.	Form	D	L	Ball-Ø	SW	Load rating max. kN (static load only)
K0384.80512	E	M5	12	3	2,5	4,5
K0384.80520	E	M5	20	3	2,5	4,5
K0384.8058	E	M5	8	3	2,5	4,5
K0384.80610	E	M6	10,8	4	3	9
K0384.80616	E	M6	16,8	4	3	9
K0384.80620	E	M6	20,8	4	3	9
K0384.80625	E	M6	25,8	4	3	9
K0384.80810	E	M8	11,2	5,5	4	10
K0384.80812	E	M8	13,2	5,5	4	10
K0384.80820	E	M8	21,2	5,5	4	15
K0384.80825	E	M8	26,2	5,5	4	15
K0384.80830	E	M8	31,2	5,5	4	15
K0384.81012	E	M10	13,7	7	5	20
K0384.81016	E	M10	17,7	7	5	20
K0384.81020	E	M10	21,7	7	5	20
K0384.81025	E	M10	26,7	7	5	20
K0384.81035	E	M10	36,7	7	5	20
K0384.81216	E	M12	18	8,5	6	30
K0384.81220	E	M12	22	8,5	6	30
K0384.81230	E	M12	32	8,5	6	30
K0384.81240	E	M12	42	8,5	6	30