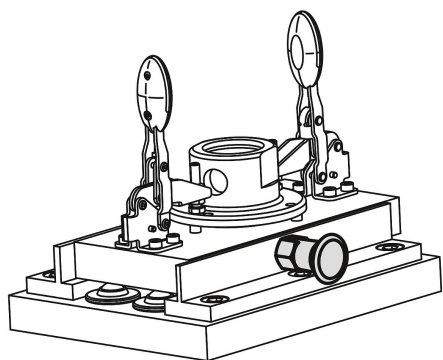
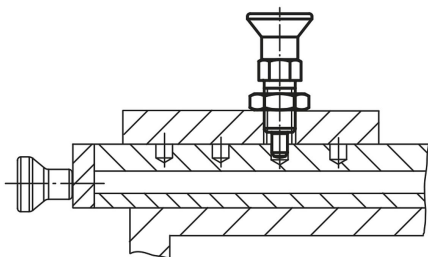


Indexing plungers, steel or stainless steel, with plastic mushroom grip extended indexing pin and load slot

Item description/product images



Description

Material:

Steel version
Indexing pin hardened:
grade 5.8.

Stainless steel version
Indexing pin hardened:
Threaded sleeve 1.4305.
Indexing pin 1.4034.

Indexing pin not hardened:
Threaded sleeve 1.4305.
Indexing pin 1.4305.

Mushroom knob black-grey thermoplastic.

Version:

Steel version:
Indexing pin hardened, ground, black oxidised.

Stainless steel version:
Indexing pin hardened, ground and bright.
Indexing pin not hardened, ground and bright.

Note:

Indexing plungers are used to prevent any change in locking position due to lateral forces. A new locking position can only be set after the pin has been manually disengaged.

On request:

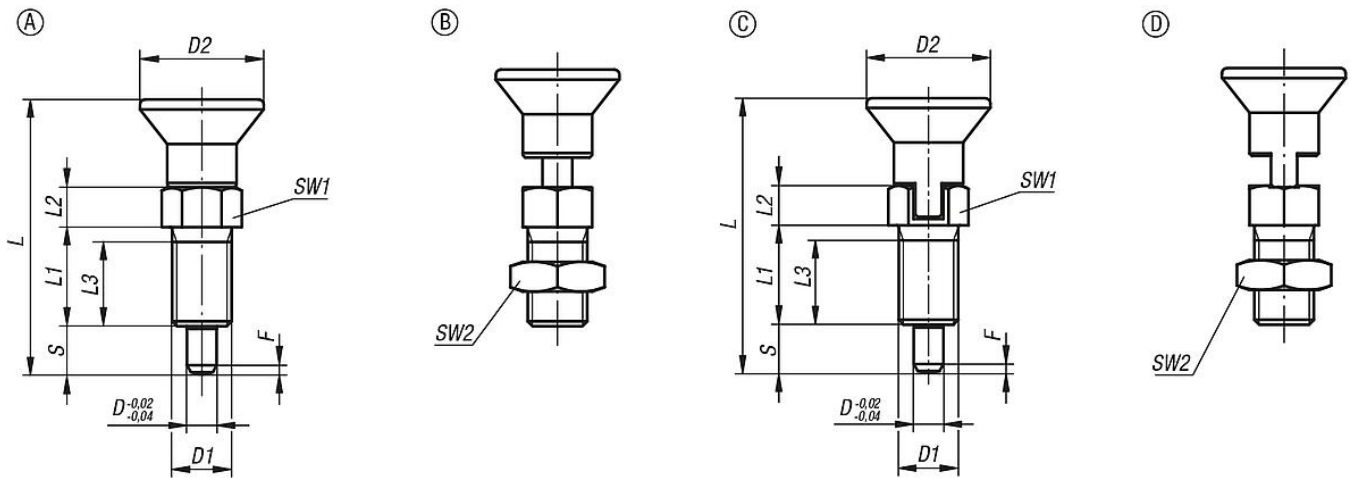
Special versions.

Drawing reference:

Form A: non-lockout type, without locknut
Form B: non-lockout type, with locknut
Form C: lockout type, without locknut
Form D: lockout type, with locknut

Indexing plungers, steel or stainless steel, with plastic mushroom grip extended indexing pin and load slot

Drawings



Overview of items

Indexing plungers steel or stainless steel

Order No.	Form	Main material	locating pin	D	D1	D2	L	L1	L2	L3	Travel S	SW1	SW2	Fx30°	Spring force initial pressure F1 approx. N	Spring force final pressure F2 approx. N
K0630.21903	A	steel	hardened	3	M6x0,75	14	33	12	5	10	5	8	-	0,8	4,5	12
K0630.21004	A	steel	hardened	4	M8x1	18	40,5	15	6	13	6	10	-	1	6	15
K0630.21105	A	steel	hardened	5	M10x1	21	46,5	17	7	15	8	13	-	1,3	5	16
K0630.21206	A	steel	hardened	6	M12x1,5	25	54,7	20	8	17	9	14	-	1,8	6	18
K0630.21308	A	steel	hardened	8	M16x1,5	33	72	26	10	23	12	19	-	2,3	15	45
K0630.21410	A	steel	hardened	10	M20x1,5	33	79	28	12	25	15	22	-	2,8	15	43
K0630.21412	A	steel	hardened	12	M20x1,5	33	84	28	14	25	18	22	-	2,8	15	51
K0630.21516	A	steel	hardened	16	M24x2	40	104	32	18	28	24	27	-	3,2	20	60
K0630.201903	A	stainless steel	hardened	3	M6x0,75	14	33	12	5	10	5	8	-	0,8	4,5	12
K0630.201004	A	stainless steel	hardened	4	M8x1	18	40,5	15	6	13	6	10	-	1	6	15
K0630.201105	A	stainless steel	hardened	5	M10x1	21	46,5	17	7	15	8	13	-	1,3	5	16
K0630.201206	A	stainless steel	hardened	6	M12x1,5	25	54,7	20	8	17	9	14	-	1,8	6	18
K0630.201308	A	stainless steel	hardened	8	M16x1,5	33	72	26	10	23	12	19	-	2,3	15	45
K0630.201410	A	stainless steel	hardened	10	M20x1,5	33	79	28	12	25	15	22	-	2,8	15	43
K0630.201412	A	stainless steel	hardened	12	M20x1,5	33	84	28	14	25	18	22	-	2,8	15	51
K0630.201516	A	stainless steel	hardened	16	M24x2	40	104	32	18	28	24	27	-	3,2	20	60
K0630.211903	A	stainless steel	not hardened	3	M6x0,75	14	33	12	5	10	5	8	-	0,8	4,5	12
K0630.211004	A	stainless steel	not hardened	4	M8x1	18	40,5	15	6	13	6	10	-	1	6	15
K0630.211105	A	stainless steel	not hardened	5	M10x1	21	46,5	17	7	15	8	13	-	1,3	5	16
K0630.211206	A	stainless steel	not hardened	6	M12x1,5	25	54,7	20	8	17	9	14	-	1,8	6	18
K0630.211308	A	stainless steel	not hardened	8	M16x1,5	33	72	26	10	23	12	19	-	2,3	15	45
K0630.211410	A	stainless steel	not hardened	10	M20x1,5	33	79	28	12	25	15	22	-	2,8	15	43
K0630.211412	A	stainless steel	not hardened	12	M20x1,5	33	84	28	14	25	18	22	-	2,8	15	51
K0630.211516	A	stainless steel	not hardened	16	M24x2	40	104	32	18	28	24	27	-	3,2	20	60
K0630.22903	B	steel	hardened	3	M6x0,75	14	33	12	5	10	5	8	10	0,8	4,5	12
K0630.22004	B	steel	hardened	4	M8x1	18	40,5	15	6	13	6	10	13	1	6	15
K0630.22105	B	steel	hardened	5	M10x1	21	46,5	17	7	15	8	13	17	1,3	5	16
K0630.22206	B	steel	hardened	6	M12x1,5	25	54,7	20	8	17	9	14	19	1,8	6	18
K0630.22308	B	steel	hardened	8	M16x1,5	33	72	26	10	23	12	19	24	2,3	15	45
K0630.22410	B	steel	hardened	10	M20x1,5	33	79	28	12	25	15	22	30	2,8	15	43
K0630.22412	B	steel	hardened	12	M20x1,5	33	84	28	14	25	18	22	30	2,8	15	51
K0630.22516	B	steel	hardened	16	M24x2	40	104	32	18	28	24	27	36	3,2	20	60
K0630.202903	B	stainless steel	hardened	3	M6x0,75	14	33	12	5	10	5	8	10	0,8	4,5	12
K0630.202004	B	stainless steel	hardened	4	M8x1	18	40,5	15	6	13	6	10	13	1	6	15
K0630.202105	B	stainless steel	hardened	5	M10x1	21	46,5	17	7	15	8	13	17	1,3	5	16
K0630.202206	B	stainless steel	hardened	6	M12x1,5	25	54,7	20	8	17	9	14	19	1,8	6	18
K0630.202308	B	stainless steel	hardened	8	M16x1,5	33	72	26	10	23	12	19	24	2,3	15	45
K0630.202410	B	stainless steel	hardened	10	M20x1,5	33	79	28	12	25	15	22	30	2,8	15	43

Indexing plungers, steel or stainless steel, with plastic mushroom grip extended indexing pin and load slot

Overview of items

Order No.	Form	Main material	locating pin	D	D1	D2	L	L1	L2	L3	Travel S	SW1	SW2	Fx30°	Spring force initial pressure F1 approx. N	Spring force final pressure F2 approx. N
K0630.202412	B	stainless steel	hardened	12	M20x1,5	33	84	28	14	25	18	22	30	2,8	15	51
K0630.202516	B	stainless steel	hardened	16	M24x2	40	104	32	18	28	24	27	36	3,2	20	60
K0630.212903	B	stainless steel	not hardened	3	M6x0,75	14	33	12	5	10	5	8	10	0,8	4,5	12
K0630.212004	B	stainless steel	not hardened	4	M8x1	18	40,5	15	6	13	6	10	13	1	6	15
K0630.212105	B	stainless steel	not hardened	5	M10x1	21	46,5	17	7	15	8	13	17	1,3	5	16
K0630.212206	B	stainless steel	not hardened	6	M12x1,5	25	54,7	20	8	17	9	14	19	1,8	6	18
K0630.212308	B	stainless steel	not hardened	8	M16x1,5	33	72	26	10	23	12	19	24	2,3	15	45
K0630.212410	B	stainless steel	not hardened	10	M20x1,5	33	79	28	12	25	15	22	30	2,8	15	43
K0630.212412	B	stainless steel	not hardened	12	M20x1,5	33	84	28	14	25	18	22	30	2,8	15	51
K0630.212516	B	stainless steel	not hardened	16	M24x2	40	104	32	18	28	24	27	36	3,2	20	60
K0630.23105	C	steel	hardened	5	M10x1	21	49,5	17	10	15	8	13	-	1,3	5	16
K0630.23206	C	steel	hardened	6	M12x1,5	25	57,7	20	11	17	9	14	-	1,8	6	18
K0630.23308	C	steel	hardened	8	M16x1,5	33	76	26	14	23	12	19	-	2,3	15	45
K0630.203105	C	stainless steel	hardened	5	M10x1	21	49,5	17	10	15	8	13	-	1,3	5	16
K0630.203206	C	stainless steel	hardened	6	M12x1,5	25	57,7	20	11	17	9	14	-	1,8	6	18
K0630.203308	C	stainless steel	hardened	8	M16x1,5	33	76	26	14	23	12	19	-	2,3	15	45
K0630.213105	C	stainless steel	not hardened	5	M10x1	21	49,5	17	10	15	8	13	-	1,3	5	16
K0630.213206	C	stainless steel	not hardened	6	M12x1,5	25	57,7	20	11	17	9	14	-	1,8	6	18
K0630.213308	C	stainless steel	not hardened	8	M16x1,5	33	76	26	14	23	12	19	-	2,3	15	45
K0630.24105	D	steel	hardened	5	M10x1	21	49,5	17	10	15	8	13	17	1,3	5	16
K0630.24206	D	steel	hardened	6	M12x1,5	25	57,7	20	11	17	9	14	19	1,8	6	18
K0630.24308	D	steel	hardened	8	M16x1,5	33	76	26	14	23	12	19	24	2,3	15	45
K0630.204105	D	stainless steel	hardened	5	M10x1	21	49,5	17	10	15	8	13	17	1,3	5	16
K0630.204206	D	stainless steel	hardened	6	M12x1,5	25	57,7	20	11	17	9	14	19	1,8	6	18
K0630.204308	D	stainless steel	hardened	8	M16x1,5	33	76	26	14	23	12	19	24	2,3	15	45
K0630.214105	D	stainless steel	not hardened	5	M10x1	21	49,5	17	10	15	8	13	17	1,3	5	16
K0630.214206	D	stainless steel	not hardened	6	M12x1,5	25	57,7	20	11	17	9	14	19	1,8	6	18
K0630.214308	D	stainless steel	not hardened	8	M16x1,5	33	76	26	14	23	12	19	24	2,3	15	45