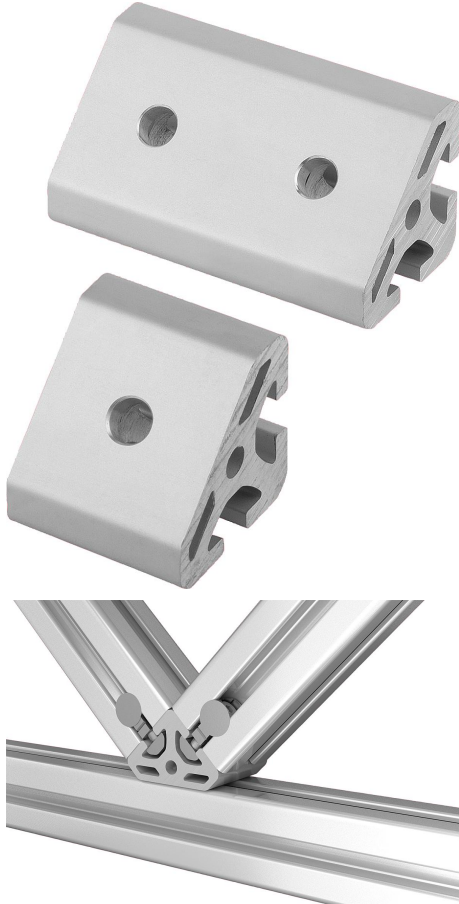


Angle elements T2 Type I

Item description/product images



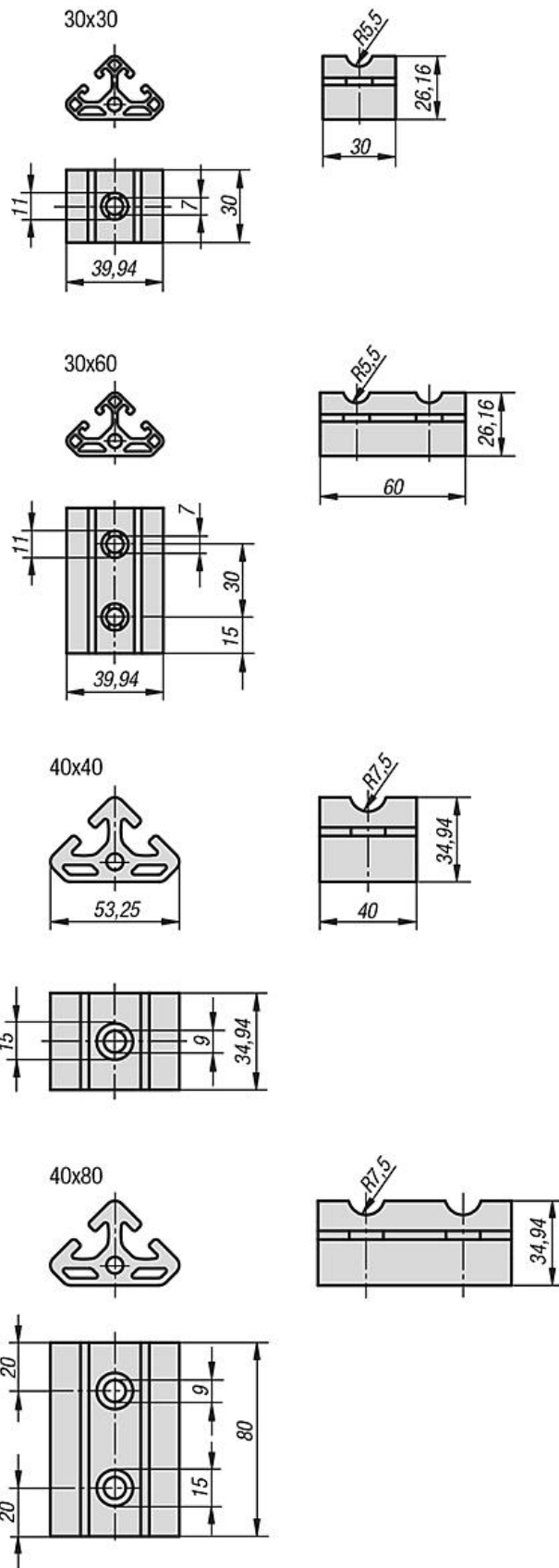
Description

Material:
Aluminium.

Version:
anodised.

Note:
Angle element for fastening two profiles at a 45° angle and for making struts or ties. The angle element can be fastened with universal connector sets and ISO 7380 round-head screws.

Drawings



Angle elements T2 Type I

Overview of items

Angle elements, T2 Type I

Order No.	Type	Slot width	Version
K1048.063030	I	6	30 x 30
K1048.063060	I	6	30 x 60
K1048.084040	I	8	40 x 40
K1048.084080	I	8	40 x 80