

# Self-aligning pads swivel angle 12°

## Item description/product images



### Description

#### Material:

Body carbon steel.

Ball, ball-bearing steel 1.3505.

#### Version:

Body tempered.

Ball hardened (50 - 55 HRC).

#### Note:

Self-aligning pads serve as stops, supports and thrust pads in fixture construction. They can also be installed in existing clamping devices, e.g. arness clamps.

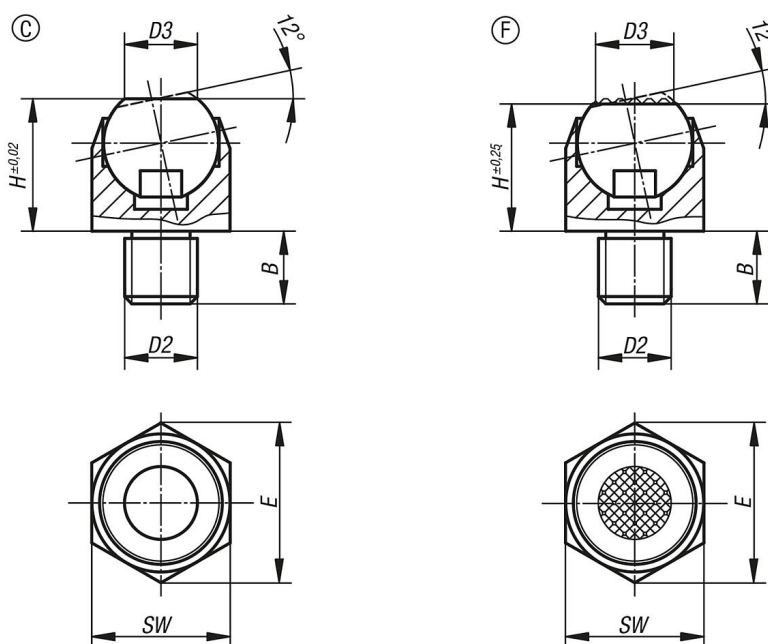
Ball is secured against rotation.

#### Drawing reference:

Form C: external thread, smooth flattened ball

Form F: external thread, serrated flattened ball

## Drawings



## Overview of items

### Self-aligning pads swivel angle 12°

Order No. Form C	Order No. Form F	B	D2	D3	H	E	SW	Ball-Ø	Load rating max. kN (static load only)
K0302.106	K0302.306	7	M6	6,7	13	14,5	13	10	10
K0302.108	K0302.308	8	M8	6,7	13	14,5	13	10	10
K0302.110	K0302.310	10	M10	10	18	21,9	19	16	25
K0302.112	K0302.312	12	M12	10	18	21,9	19	16	25
K0302.116	K0302.316	16	M16	20	27	33	30	24	90

## Self-aligning pads swivel angle 12°

### Overview of items

Order No. Form C	Order No. Form F	B	D2	D3	H	E	SW	Ball-Ø	Load rating max. kN (static load only)
K0302.120	K0302.320	20	M20	20	27	33	30	24	90