

Star grips biopolymer with external thread

Item description/product images



Description

Material:

Biopolymer. Threaded pin steel.

Version:

Screw trivalent blue passivated.

Advantages:

This biopolymer is manufactured entirely from renewable raw materials (oil free). Conservation of finite fossil resources.

The wood fibres originate 100% from local, sustainably managed forests in Germany.

Features:

Excellent mechanical stability (certified with a minimum of 2x safety factor).

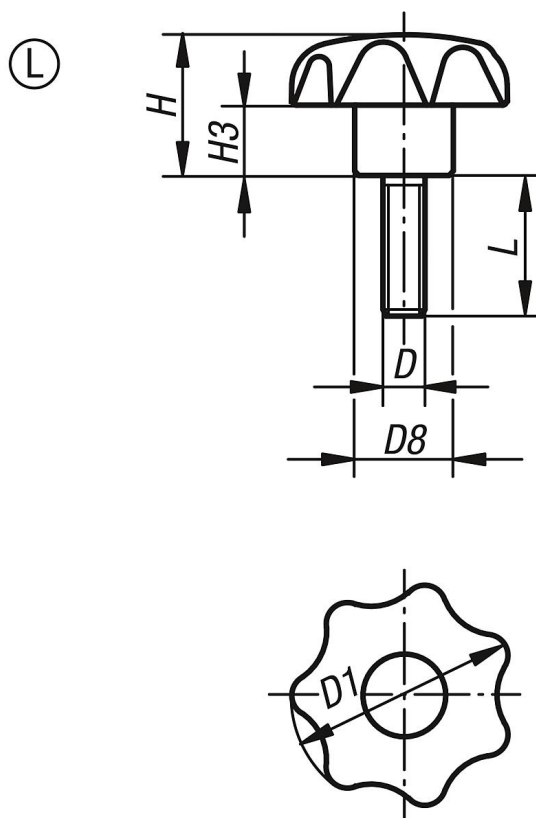
Biopolymer is suitable for recycling (comparable to thermoplastics).

Suitable for outdoor use (not biodegradable).

Excellent resistance to strong acids and lyes.

Short-term resistance to alcohol, fuel, mineral oil and grease.

Drawings



Overview of items

Order No.	Form	Main colour	D	D1	D8	H	H3	L
K0155.104061143X15	L	natural beech	M6	32	14	20	10	15
K0155.10408143X20	L	natural beech	M8	32	14	20	10	20

Star grips biopolymer with external thread

Overview of items

Order No.	Form	Main colour	D	D1	D8	H	H3	L
K0155.104081143X25	L	natural beech	M8	40	18	25	13	25
K0155.10410143X25	L	natural beech	M10	40	18	25	13	25
K0155.104101143X25	L	natural beech	M10	50	22	32	17	25
K0155.10412143X25	L	natural beech	M12	50	22	32	17	25
K0155.10406190X15	L	black grey RAL 7021	M6	32	14	20	10	15
K0155.1040890X20	L	black grey RAL 7021	M8	32	14	20	10	20
K0155.10408190X25	L	black grey RAL 7021	M8	40	18	25	13	25
K0155.1041090X25	L	black grey RAL 7021	M10	40	18	25	13	25
K0155.10410190X25	L	black grey RAL 7021	M10	50	22	32	17	25
K0155.1041290X25	L	black grey RAL 7021	M12	50	22	32	17	25