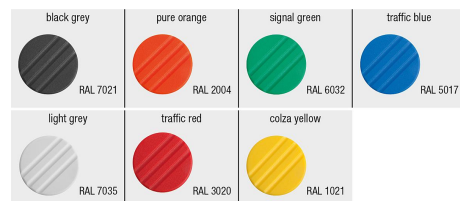


Knurled torque knobs internal thread

Item description/product images



Description

Material:

Thermoplastic, black grey.
Bush steel.

Version:

Bush black oxidised.

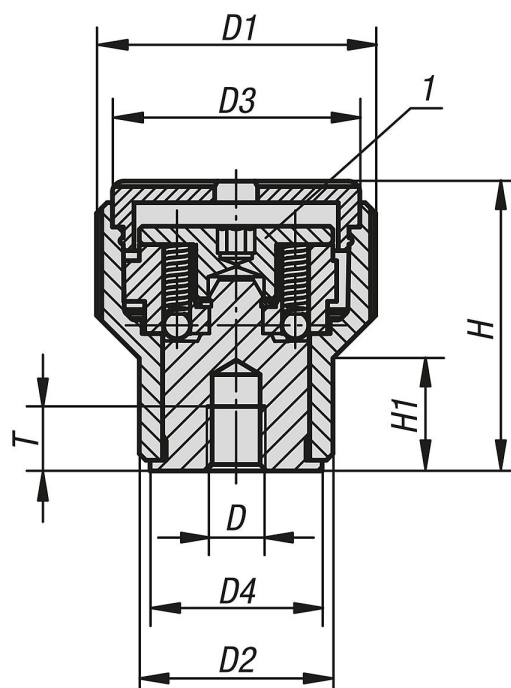
Note:

The set screw sets the required torque. The knob de-clutches and turns freely when the desired torque is reached.

Drawing reference:

1) adjusting screw for setting the torque

Drawings



Overview of items

Knurled torque knobs with internal thread

Order No.	Thread type	Component material	Colour Cap	Size	D	D1	D2	D3	D4	H	H1	T	Torque Nm
K0277.205	internal thread	steel	black grey RAL 7021	2	M5	26	18	23	16	27	10,5	5	0,1 - 0,3
K0277.2051	internal thread	steel	orange RAL 2004	2	M5	26	18	23	16	27	10,5	5	0,1 - 0,3
K0277.2052	internal thread	steel	signal green RAL6032	2	M5	26	18	23	16	27	10,5	5	0,1 - 0,3
K0277.2053	internal thread	steel	blue RAL5017	2	M5	26	18	23	16	27	10,5	5	0,1 - 0,3
K0277.2055	internal thread	steel	light grey RAL 7035	2	M5	26	18	23	16	27	10,5	5	0,1 - 0,3
K0277.2056	internal thread	steel	traffic red RAL 3020	2	M5	26	18	23	16	27	10,5	5	0,1 - 0,3
K0277.2057	internal thread	steel	colza yellow RAL 1021	2	M5	26	18	23	16	27	10,5	5	0,1 - 0,3
K0277.206	internal thread	steel	black grey RAL 7021	2	M6	26	18	23	16	27	10,5	6	0,1 - 0,3
K0277.2061	internal thread	steel	orange RAL 2004	2	M6	26	18	23	16	27	10,5	6	0,1 - 0,3

Knurled torque knobs internal thread

Overview of items

Order No.	Thread type	Component material	Colour Cap	Size	D	D1	D2	D3	D4	H	H1	T	Torque Nm
K0277.2062	internal thread	steel	signal green RAL6032	2	M6	26	18	23	16	27	10,5	6	0,1 - 0,3
K0277.2063	internal thread	steel	blue RAL5017	2	M6	26	18	23	16	27	10,5	6	0,1 - 0,3
K0277.2065	internal thread	steel	light grey RAL 7035	2	M6	26	18	23	16	27	10,5	6	0,1 - 0,3
K0277.2066	internal thread	steel	traffic red RAL 3020	2	M6	26	18	23	16	27	10,5	6	0,1 - 0,3
K0277.2067	internal thread	steel	colza yellow RAL 1021	2	M6	26	18	23	16	27	10,5	6	0,1 - 0,3
K0277.306	internal thread	steel	black grey RAL 7021	3	M6	34	22	31	20	37,5	14,5	10	0,1 - 0,3
K0277.3061	internal thread	steel	orange RAL 2004	3	M6	34	22	31	20	37,5	14,5	10	0,1 - 0,3
K0277.3062	internal thread	steel	signal green RAL6032	3	M6	34	22	31	20	37,5	14,5	10	0,1 - 0,3
K0277.3063	internal thread	steel	blue RAL5017	3	M6	34	22	31	20	37,5	14,5	10	0,1 - 0,3
K0277.3065	internal thread	steel	light grey RAL 7035	3	M6	34	22	31	20	37,5	14,5	10	0,1 - 0,3
K0277.3066	internal thread	steel	traffic red RAL 3020	3	M6	34	22	31	20	37,5	14,5	10	0,1 - 0,3
K0277.3067	internal thread	steel	colza yellow RAL 1021	3	M6	34	22	31	20	37,5	14,5	10	0,1 - 0,3
K0277.308	internal thread	steel	black grey RAL 7021	3	M8	34	22	31	20	37,5	14,5	14	0,1 - 0,3
K0277.3081	internal thread	steel	orange RAL 2004	3	M8	34	22	31	20	37,5	14,5	14	0,1 - 0,3
K0277.3082	internal thread	steel	signal green RAL6032	3	M8	34	22	31	20	37,5	14,5	14	0,1 - 0,3
K0277.3083	internal thread	steel	blue RAL5017	3	M8	34	22	31	20	37,5	14,5	14	0,1 - 0,3
K0277.3085	internal thread	steel	light grey RAL 7035	3	M8	34	22	31	20	37,5	14,5	14	0,1 - 0,3
K0277.3086	internal thread	steel	traffic red RAL 3020	3	M8	34	22	31	20	37,5	14,5	14	0,1 - 0,3
K0277.3087	internal thread	steel	colza yellow RAL 1021	3	M8	34	22	31	20	37,5	14,5	14	0,1 - 0,3