

## Wing grips tapped through

Item description/product images



### Description

#### Material:

Grip thermoplastic.

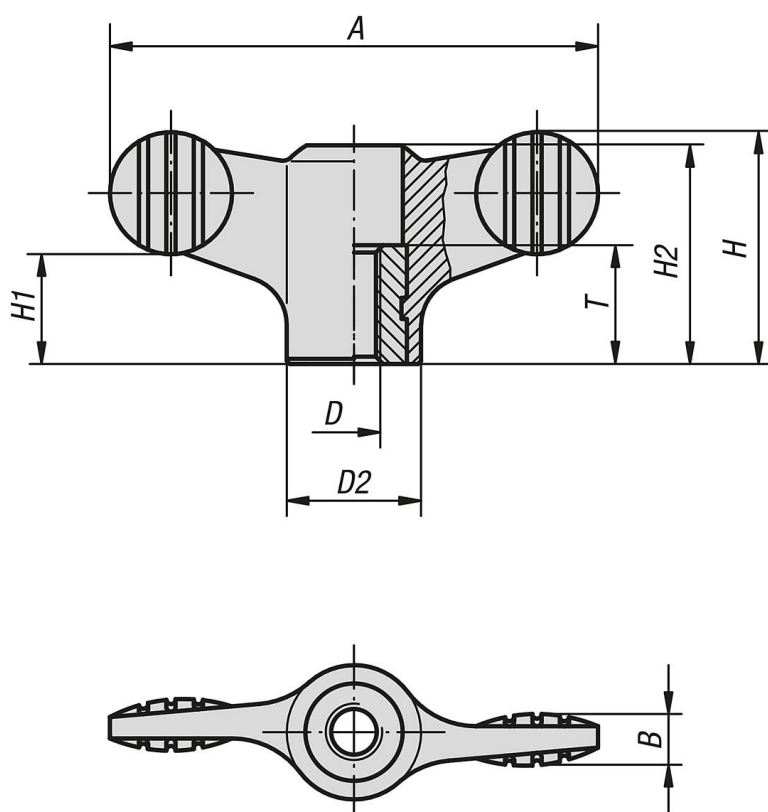
Bush steel 5.8 or stainless steel 1.4305.

#### Version:

Grip black grey.

Bush trivalent blue passivated steel or bright stainless steel.

### Drawings



### Overview of items

#### Wing grips with tapped through bush

Order No.	Component material	A	B	D	D2	H	H1	H2	T
K0274.1904	steel	38	4,5	M4	12	18	8,5	16,1	10
K0274.1905	steel	38	4,5	M5	12	18	8,5	16,1	10
K0274.1906	steel	38	4,5	M6	12	18	8,5	16,1	10
K0274.1105	steel	50	5	M5	14	24	11,5	22	10
K0274.1106	steel	50	5	M6	14	24	11,5	22	10
K0274.1208	steel	75	7	M8	21	35,6	17	33,3	14
K0274.1210	steel	75	7	M10	21	35,6	17	33,3	14

## Wing grips tapped through

### Overview of items

Order No.	Component material	A	B	D	D2	H	H1	H2	T
K0274.10904	stainless steel	38	4,5	M4	12	18	8,5	16,1	10
K0274.10905	stainless steel	38	4,5	M5	12	18	8,5	16,1	10
K0274.10906	stainless steel	38	4,5	M6	12	18	8,5	16,1	10
K0274.10105	stainless steel	50	5	M5	14	24	11,5	22	10
K0274.10106	stainless steel	50	5	M6	14	24	11,5	22	10
K0274.10208	stainless steel	75	7	M8	21	35,6	17	33,3	14
K0274.10210	stainless steel	75	7	M10	21	35,6	17	33,3	14