

Knurled knobs with internal thread

Item description/product images



Description

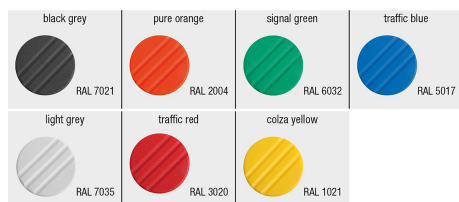
Material:

Black thermoplastic.

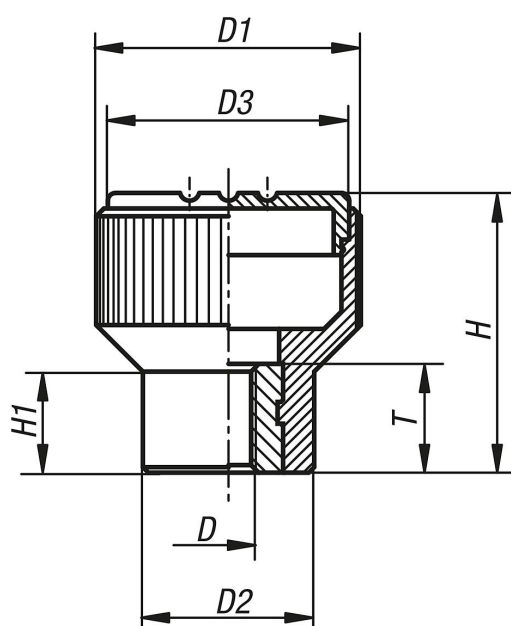
Bush and screw 5.8 steel or 1.4305 stainless steel.

Version:

Steel trivalent blue passivated, stainless steel bright.



Drawings



Overview of items

Order No.	Component material	Colour Cap	D	D1	D2	D3	H	H1	T
K0247.104	steel	black grey RAL 7021	M4	21	14	19	22	8	10
K0247.1041	steel	orange RAL 2004	M4	21	14	19	22	8	10
K0247.1042	steel	signal green RAL6032	M4	21	14	19	22	8	10
K0247.1043	steel	blue RAL5017	M4	21	14	19	22	8	10
K0247.1045	steel	light grey RAL 7035	M4	21	14	19	22	8	10
K0247.1046	steel	traffic red RAL 3020	M4	21	14	19	22	8	10
K0247.1047	steel	colza yellow RAL 1021	M4	21	14	19	22	8	10
K0247.105	steel	black grey RAL 7021	M5	21	14	19	22	8	10
K0247.1051	steel	orange RAL 2004	M5	21	14	19	22	8	10
K0247.1052	steel	signal green RAL6032	M5	21	14	19	22	8	10
K0247.1053	steel	blue RAL5017	M5	21	14	19	22	8	10
K0247.1055	steel	light grey RAL 7035	M5	21	14	19	22	8	10
K0247.1056	steel	traffic red RAL 3020	M5	21	14	19	22	8	10

Knurled knobs with internal thread

Overview of items

Order No.	Component material	Colour Cap	D	D1	D2	D3	H	H1	T
K0247.1057	steel	colza yellow RAL 1021	M5	21	14	19	22	8	10
K0247.106	steel	black grey RAL 7021	M6	21	14	19	22	8	10
K0247.1061	steel	orange RAL 2004	M6	21	14	19	22	8	10
K0247.1062	steel	signal green RAL6032	M6	21	14	19	22	8	10
K0247.1063	steel	blue RAL5017	M6	21	14	19	22	8	10
K0247.1065	steel	light grey RAL 7035	M6	21	14	19	22	8	10
K0247.1066	steel	traffic red RAL 3020	M6	21	14	19	22	8	10
K0247.1067	steel	colza yellow RAL 1021	M6	21	14	19	22	8	10
K0247.208	steel	black grey RAL 7021	M8	26	18	23	26	9,5	14
K0247.2081	steel	orange RAL 2004	M8	26	18	23	26	9,5	14
K0247.2082	steel	signal green RAL6032	M8	26	18	23	26	9,5	14
K0247.2083	steel	blue RAL5017	M8	26	18	23	26	9,5	14
K0247.2085	steel	light grey RAL 7035	M8	26	18	23	26	9,5	14
K0247.2086	steel	traffic red RAL 3020	M8	26	18	23	26	9,5	14
K0247.2087	steel	colza yellow RAL 1021	M8	26	18	23	26	9,5	14
K0247.308	steel	black grey RAL 7021	M8	34	22	31	36	13	14
K0247.3081	steel	orange RAL 2004	M8	34	22	31	36	13	14
K0247.3082	steel	signal green RAL6032	M8	34	22	31	36	13	14
K0247.3083	steel	blue RAL5017	M8	34	22	31	36	13	14
K0247.3085	steel	light grey RAL 7035	M8	34	22	31	36	13	14
K0247.3086	steel	traffic red RAL 3020	M8	34	22	31	36	13	14
K0247.3087	steel	colza yellow RAL 1021	M8	34	22	31	36	13	14
K0247.310	steel	black grey RAL 7021	M10	34	22	31	36	13	14
K0247.3101	steel	orange RAL 2004	M10	34	22	31	36	13	14
K0247.3102	steel	signal green RAL6032	M10	34	22	31	36	13	14
K0247.3103	steel	blue RAL5017	M10	34	22	31	36	13	14
K0247.3105	steel	light grey RAL 7035	M10	34	22	31	36	13	14
K0247.3106	steel	traffic red RAL 3020	M10	34	22	31	36	13	14
K0247.3107	steel	colza yellow RAL 1021	M10	34	22	31	36	13	14
K0247.0104	stainless steel	black grey RAL 7021	M4	21	14	19	22	8	10
K0247.01041	stainless steel	orange RAL 2004	M4	21	14	19	22	8	10
K0247.01042	stainless steel	signal green RAL6032	M4	21	14	19	22	8	10
K0247.01043	stainless steel	blue RAL5017	M4	21	14	19	22	8	10
K0247.01045	stainless steel	light grey RAL 7035	M4	21	14	19	22	8	10
K0247.01046	stainless steel	traffic red RAL 3020	M4	21	14	19	22	8	10
K0247.01047	stainless steel	colza yellow RAL 1021	M4	21	14	19	22	8	10
K0247.0105	stainless steel	black grey RAL 7021	M5	21	14	19	22	8	10
K0247.01051	stainless steel	orange RAL 2004	M5	21	14	19	22	8	10
K0247.01052	stainless steel	signal green RAL6032	M5	21	14	19	22	8	10
K0247.01053	stainless steel	blue RAL5017	M5	21	14	19	22	8	10
K0247.01055	stainless steel	light grey RAL 7035	M5	21	14	19	22	8	10
K0247.01056	stainless steel	traffic red RAL 3020	M5	21	14	19	22	8	10
K0247.01057	stainless steel	colza yellow RAL 1021	M5	21	14	19	22	8	10
K0247.0106	stainless steel	black grey RAL 7021	M6	21	14	19	22	8	10
K0247.01061	stainless steel	orange RAL 2004	M6	21	14	19	22	8	10
K0247.01062	stainless steel	signal green RAL6032	M6	21	14	19	22	8	10
K0247.01063	stainless steel	blue RAL5017	M6	21	14	19	22	8	10
K0247.01065	stainless steel	light grey RAL 7035	M6	21	14	19	22	8	10
K0247.01066	stainless steel	traffic red RAL 3020	M6	21	14	19	22	8	10
K0247.01067	stainless steel	colza yellow RAL 1021	M6	21	14	19	22	8	10
K0247.0208	stainless steel	black grey RAL 7021	M8	26	18	23	26	9,5	14
K0247.02081	stainless steel	orange RAL 2004	M8	26	18	23	26	9,5	14
K0247.02082	stainless steel	signal green RAL6032	M8	26	18	23	26	9,5	14
K0247.02083	stainless steel	blue RAL5017	M8	26	18	23	26	9,5	14
K0247.02085	stainless steel	light grey RAL 7035	M8	26	18	23	26	9,5	14
K0247.02086	stainless steel	traffic red RAL 3020	M8	26	18	23	26	9,5	14
K0247.02087	stainless steel	colza yellow RAL 1021	M8	26	18	23	26	9,5	14
K0247.0308	stainless steel	black grey RAL 7021	M8	34	22	31	36	13	14
K0247.03081	stainless steel	orange RAL 2004	M8	34	22	31	36	13	14
K0247.03082	stainless steel	signal green RAL6032	M8	34	22	31	36	13	14
K0247.03083	stainless steel	blue RAL5017	M8	34	22	31	36	13	14
K0247.03085	stainless steel	light grey RAL 7035	M8	34	22	31	36	13	14

Knurled knobs with internal thread

Overview of items

Order No.	Component material	Colour Cap	D	D1	D2	D3	H	H1	T
K0247.03086	stainless steel	traffic red RAL 3020	M8	34	22	31	36	13	14
K0247.03087	stainless steel	colza yellow RAL 1021	M8	34	22	31	36	13	14
K0247.0310	stainless steel	black grey RAL 7021	M10	34	22	31	36	13	14
K0247.03101	stainless steel	orange RAL 2004	M10	34	22	31	36	13	14
K0247.03102	stainless steel	signal green RAL6032	M10	34	22	31	36	13	14
K0247.03103	stainless steel	blue RAL5017	M10	34	22	31	36	13	14
K0247.03105	stainless steel	light grey RAL 7035	M10	34	22	31	36	13	14
K0247.03106	stainless steel	traffic red RAL 3020	M10	34	22	31	36	13	14
K0247.03107	stainless steel	colza yellow RAL 1021	M10	34	22	31	36	13	14