

Clamping grips ergonomic with external threads

Item description/product images



Description

Material:

Hard components fibreglass reinforced plastic.

Soft components thermoplastic elastomer.

Screws steel grade 5.8 or stainless steel 1.4305.

Version:

Steel trivalent blue passivated.

Stainless steel, bright.

Note:

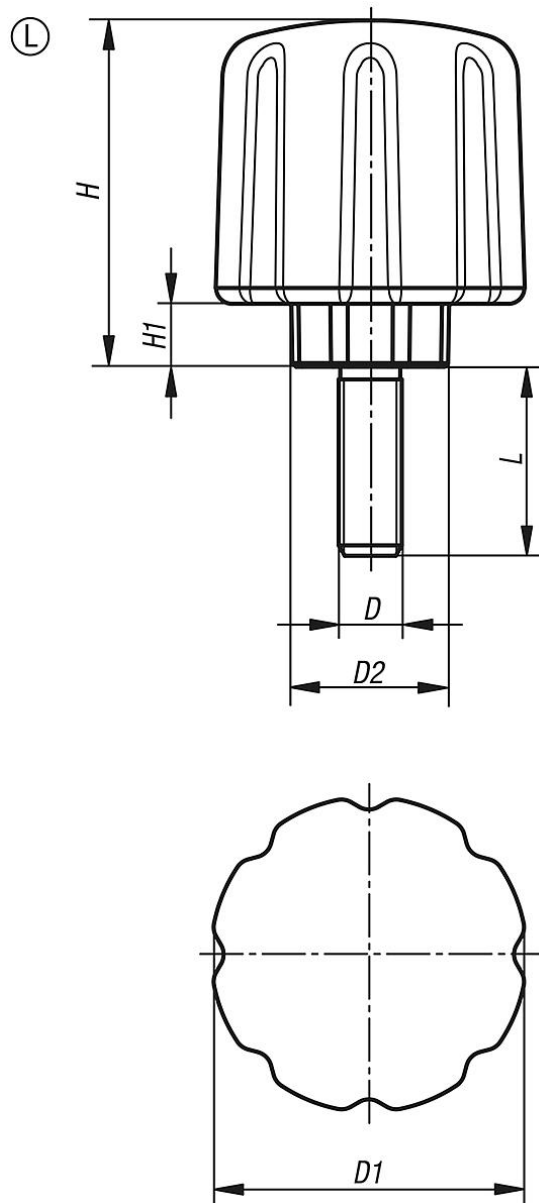
The colour combination black grey RAL 7021 (hard components) and black grey RAL 7021 (soft components) are supplied as standard.

On request:

Other versions.

Clamping grips ergonomic with external threads

Drawings



Overview of items

Order No.	Form	Component material	D	D1	D2	H	H1	L
K0779.5006X15	L	steel	M6	50	26	55	10	15
K0779.5006X20	L	steel	M6	50	26	55	10	20
K0779.5006X25	L	steel	M6	50	26	55	10	25
K0779.5006X30	L	steel	M6	50	26	55	10	30
K0779.5008X20	L	steel	M8	50	26	55	10	20
K0779.5008X25	L	steel	M8	50	26	55	10	25
K0779.5008X30	L	steel	M8	50	26	55	10	30
K0779.5008X40	L	steel	M8	50	26	55	10	40
K0779.5010X30	L	steel	M10	50	26	55	10	30
K0779.5010X40	L	steel	M10	50	26	55	10	40
K0779.5010X50	L	steel	M10	50	26	55	10	50
K0779.05006X15	L	stainless steel	M6	50	26	55	10	15
K0779.05006X20	L	stainless steel	M6	50	26	55	10	20
K0779.05006X25	L	stainless steel	M6	50	26	55	10	25
K0779.05006X30	L	stainless steel	M6	50	26	55	10	30

Clamping grips ergonomic with external threads

Overview of items

Order No.	Form	Component material	D	D1	D2	H	H1	L
K0779.05008X20	L	stainless steel	M8	50	26	55	10	20
K0779.05008X25	L	stainless steel	M8	50	26	55	10	25
K0779.05008X30	L	stainless steel	M8	50	26	55	10	30
K0779.05008X40	L	stainless steel	M8	50	26	55	10	40
K0779.05010X30	L	stainless steel	M10	50	26	55	10	30
K0779.05010X40	L	stainless steel	M10	50	26	55	10	40
K0779.05010X50	L	stainless steel	M10	50	26	55	10	50