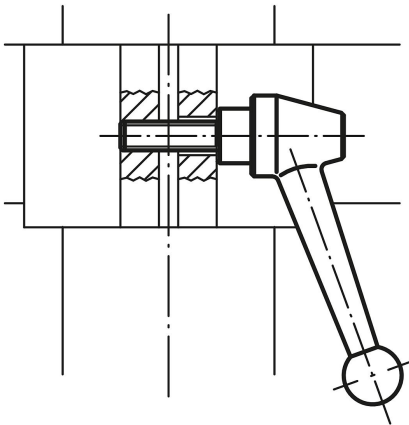
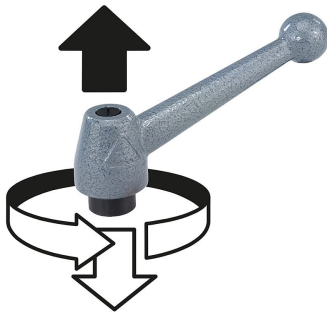


# Clamping levers, steel with external thread, threaded pin black oxidised steel

Item description/product images



lift to  
disengage



## Description

### Material:

Handle steel 1.0401.

All other steel parts grade 5.8.

### Version:

Handle painted silver-grey hammer-tone.

Steel parts black oxidised.

### Note:

Where  $L \geq 60$  mm the thread length is always 60 mm.

### On request:

Other threads, screw lengths and special versions.

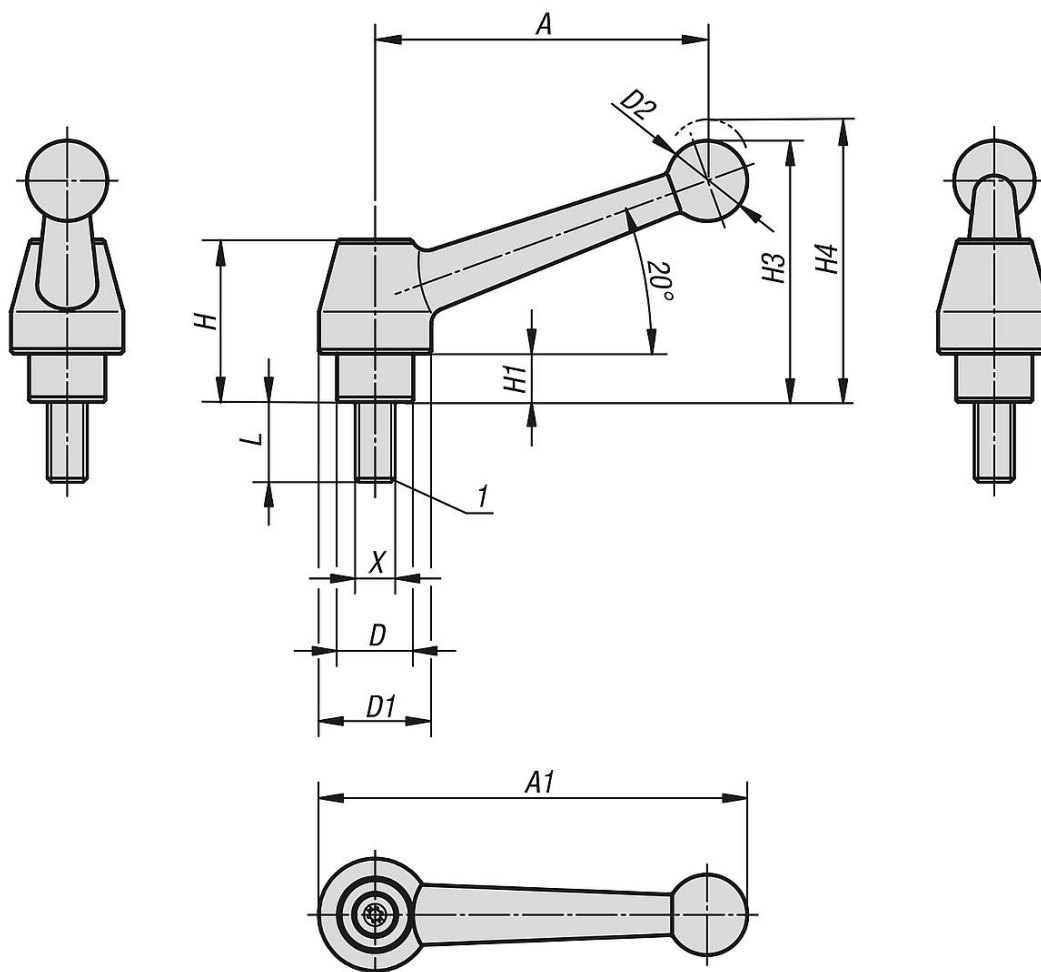
Dimension "H1" available in other lengths at extra charge.

### Drawing reference:

1) flat point DIN EN ISO 4753

# Clamping levers, steel with external thread, threaded pin black oxidised steel

Drawings



## Overview of items

### Clamping levers steel with male thread

Order No.	Main material	Size	X	D	D1	D2	H	H1	H3	H4	A	A1	No. of teeth	L
K0120.110X20	steel	1	M10	19	28	20	40,5	12	65	68,5	83	107	24	20
K0120.110X25	steel	1	M10	19	28	20	40,5	12	65	68,5	83	107	24	25
K0120.110X30	steel	1	M10	19	28	20	40,5	12	65	68,5	83	107	24	30
K0120.110X35	steel	1	M10	19	28	20	40,5	12	65	68,5	83	107	24	35
K0120.110X40	steel	1	M10	19	28	20	40,5	12	65	68,5	83	107	24	40
K0120.110X45	steel	1	M10	19	28	20	40,5	12	65	68,5	83	107	24	45
K0120.110X50	steel	1	M10	19	28	20	40,5	12	65	68,5	83	107	24	50
K0120.110X55	steel	1	M10	19	28	20	40,5	12	65	68,5	83	107	24	55
K0120.110X60	steel	1	M10	19	28	20	40,5	12	65	68,5	83	107	24	60
K0120.110X70	steel	1	M10	19	28	20	40,5	12	65	68,5	83	107	24	70
K0120.110X80	steel	1	M10	19	28	20	40,5	12	65	68,5	83	107	24	80
K0120.110X90	steel	1	M10	19	28	20	40,5	12	65	68,5	83	107	24	90
K0120.112X20	steel	1	M12	19	28	20	40,5	12	65	68,5	83	107	24	20
K0120.112X25	steel	1	M12	19	28	20	40,5	12	65	68,5	83	107	24	25
K0120.112X30	steel	1	M12	19	28	20	40,5	12	65	68,5	83	107	24	30
K0120.112X35	steel	1	M12	19	28	20	40,5	12	65	68,5	83	107	24	35
K0120.112X40	steel	1	M12	19	28	20	40,5	12	65	68,5	83	107	24	40
K0120.112X45	steel	1	M12	19	28	20	40,5	12	65	68,5	83	107	24	45
K0120.112X50	steel	1	M12	19	28	20	40,5	12	65	68,5	83	107	24	50

# Clamping levers, steel with external thread, threaded pin black oxidised steel

## Overview of items

Order No.	Main material	Size	X	D	D1	D2	H	H1	H3	H4	A	A1	No. of teeth	L
K0120.112X55	steel	1	M12	19	28	20	40,5	12	65	68,5	83	107	24	55
K0120.112X60	steel	1	M12	19	28	20	40,5	12	65	68,5	83	107	24	60
K0120.112X70	steel	1	M12	19	28	20	40,5	12	65	68,5	83	107	24	70
K0120.112X80	steel	1	M12	19	28	20	40,5	12	65	68,5	83	107	24	80
K0120.112X90	steel	1	M12	19	28	20	40,5	12	65	68,5	83	107	24	90
K0120.212X25	steel	2	M12	23	35	25	51,5	12	79,5	84	108	138,5	26	25
K0120.212X30	steel	2	M12	23	35	25	51,5	12	79,5	84	108	138,5	26	30
K0120.212X35	steel	2	M12	23	35	25	51,5	12	79,5	84	108	138,5	26	35
K0120.212X40	steel	2	M12	23	35	25	51,5	12	79,5	84	108	138,5	26	40
K0120.212X45	steel	2	M12	23	35	25	51,5	12	79,5	84	108	138,5	26	45
K0120.212X50	steel	2	M12	23	35	25	51,5	12	79,5	84	108	138,5	26	50
K0120.212X55	steel	2	M12	23	35	25	51,5	12	79,5	84	108	138,5	26	55
K0120.212X60	steel	2	M12	23	35	25	51,5	12	79,5	84	108	138,5	26	60
K0120.212X70	steel	2	M12	23	35	25	51,5	12	79,5	84	108	138,5	26	70
K0120.212X80	steel	2	M12	23	35	25	51,5	12	79,5	84	108	138,5	26	80
K0120.212X90	steel	2	M12	23	35	25	51,5	12	79,5	84	108	138,5	26	90
K0120.216X25	steel	2	M16	23	35	25	51,5	12	79,5	84	108	138,5	26	25
K0120.216X30	steel	2	M16	23	35	25	51,5	12	79,5	84	108	138,5	26	30
K0120.216X35	steel	2	M16	23	35	25	51,5	12	79,5	84	108	138,5	26	35
K0120.216X40	steel	2	M16	23	35	25	51,5	12	79,5	84	108	138,5	26	40
K0120.216X45	steel	2	M16	23	35	25	51,5	12	79,5	84	108	138,5	26	45
K0120.216X50	steel	2	M16	23	35	25	51,5	12	79,5	84	108	138,5	26	50
K0120.216X55	steel	2	M16	23	35	25	51,5	12	79,5	84	108	138,5	26	55
K0120.216X60	steel	2	M16	23	35	25	51,5	12	79,5	84	108	138,5	26	60
K0120.216X70	steel	2	M16	23	35	25	51,5	12	79,5	84	108	138,5	26	70
K0120.216X80	steel	2	M16	23	35	25	51,5	12	79,5	84	108	138,5	26	80
K0120.216X90	steel	2	M16	23	35	25	51,5	12	79,5	84	108	138,5	26	90
K0120.316X30	steel	3	M16	30	43	30	60	12	93	97,5	132	168	36	30
K0120.316X40	steel	3	M16	30	43	30	60	12	93	97,5	132	168	36	40
K0120.316X50	steel	3	M16	30	43	30	60	12	93	97,5	132	168	36	50
K0120.316X60	steel	3	M16	30	43	30	60	12	93	97,5	132	168	36	60
K0120.316X70	steel	3	M16	30	43	30	60	12	93	97,5	132	168	36	70
K0120.316X80	steel	3	M16	30	43	30	60	12	93	97,5	132	168	36	80
K0120.316X90	steel	3	M16	30	43	30	60	12	93	97,5	132	168	36	90
K0120.320X30	steel	3	M20	30	43	30	60	12	93	97,5	132	168	36	30
K0120.320X40	steel	3	M20	30	43	30	60	12	93	97,5	132	168	36	40
K0120.320X50	steel	3	M20	30	43	30	60	12	93	97,5	132	168	36	50
K0120.320X60	steel	3	M20	30	43	30	60	12	93	97,5	132	168	36	60
K0120.320X70	steel	3	M20	30	43	30	60	12	93	97,5	132	168	36	70
K0120.320X80	steel	3	M20	30	43	30	60	12	93	97,5	132	168	36	80
K0120.320X90	steel	3	M20	30	43	30	60	12	93	97,5	132	168	36	90