

Wing grips, one-sided without cap

Item description/product images



Description

Material:

Thermoplastic.

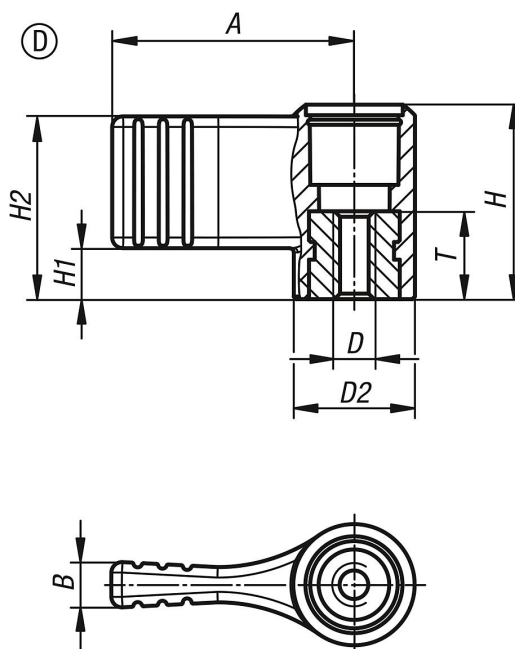
Bush steel 5.8 or stainless steel 1.4305.

Version:

Grip black grey.

Bush trivalent blue passivated steel or bright stainless steel.

Drawings



Overview of items

| Order No. | Form | Component material | A | B | D | D2 | H | H1 | T | H2 |
|-------------|------|--------------------|------|-----|-----|----|------|-----|----|------|
| K0608.1904 | D | steel | 22 | 4,4 | M4 | 12 | 16,1 | 4,5 | 10 | 15,5 |
| K0608.1905 | D | steel | 22 | 4,4 | M5 | 12 | 16,1 | 4,5 | 10 | 15,5 |
| K0608.1906 | D | steel | 22 | 4,4 | M6 | 12 | 16,1 | 4,5 | 10 | 15,5 |
| K0608.1105 | D | steel | 27,5 | 5,1 | M5 | 14 | 22,1 | 5,8 | 10 | 20,8 |
| K0608.1106 | D | steel | 27,5 | 5,1 | M6 | 14 | 22,1 | 5,8 | 10 | 20,8 |
| K0608.1208 | D | steel | 37,5 | 6,3 | M8 | 21 | 33,3 | 8,5 | 14 | 30,5 |
| K0608.1210 | D | steel | 37,5 | 6,3 | M10 | 21 | 33,3 | 8,5 | 14 | 30,5 |
| K0608.10904 | D | stainless steel | 22 | 4,4 | M4 | 12 | 16,1 | 4,5 | 10 | 15,5 |
| K0608.10905 | D | stainless steel | 22 | 4,4 | M5 | 12 | 16,1 | 4,5 | 10 | 15,5 |
| K0608.10906 | D | stainless steel | 22 | 4,4 | M6 | 12 | 16,1 | 4,5 | 10 | 15,5 |
| K0608.10105 | D | stainless steel | 27,5 | 5,1 | M5 | 14 | 22,1 | 5,8 | 10 | 20,8 |
| K0608.10106 | D | stainless steel | 27,5 | 5,1 | M6 | 14 | 22,1 | 5,8 | 10 | 20,8 |
| K0608.10208 | D | stainless steel | 37,5 | 6,3 | M8 | 21 | 33,3 | 8,5 | 14 | 30,5 |
| K0608.10210 | D | stainless steel | 37,5 | 6,3 | M10 | 21 | 33,3 | 8,5 | 14 | 30,5 |

Wing grips, one-sided without cap

Overview of items
