

Tubular handles, aluminium with plastic grip legs, slanted both sides

Item description/product images



Description

Material:

Legs black glass-bead reinforced thermoplastic.
Grip tube aluminium.

Version:

Grip, ground and natural colour anodised
Grip with serrated plastic sheath, black

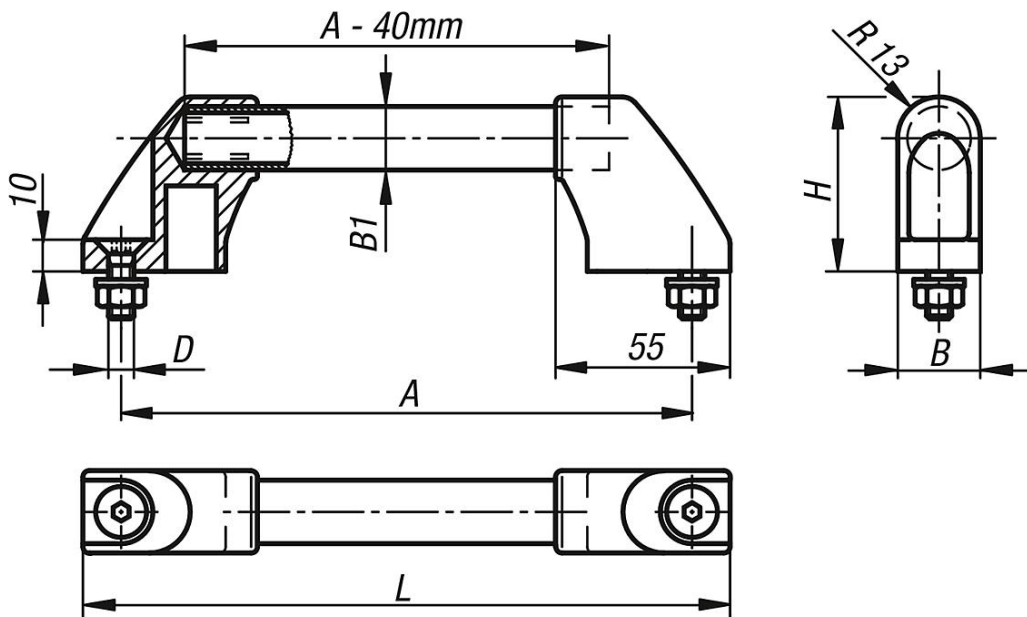
Note:

The legs have 4 webs in the hole for the grip tube. When pushing the tube in, these are trimmed off and produce a precise seating.
Black electro zinc-plated fastening screws, suitable washers and nuts are supplied.

Assembly:

From the front.

Drawings



Overview of items

Pull handles tubular

Order No.	Main material	Surface finish body	A	B	B1	D	H	L	Load capacity N
K0210.180	aluminium	ground and anodized	180	26	20X2	M8x20	55	204	500
K0210.200	aluminium	ground and anodized	200	26	20X2	M8x20	55	224	500
K0210.250	aluminium	ground and anodized	250	26	20X2	M8x20	55	274	500
K0210.300	aluminium	ground and anodized	300	26	20X2	M8x20	55	324	500
K0210.350	aluminium	ground and anodized	350	26	20X2	M8x20	55	374	500
K0210.400	aluminium	ground and anodized	400	26	20X2	M8x20	55	424	500
K0210.500	aluminium	ground and anodized	500	26	20X2	M8x20	55	524	500

Tubular handles, aluminium with plastic grip legs, slanted both sides

Overview of items

Order No.	Main material	Surface finish body	A	B	B1	D	H	L	Load capacity N
K0210.600	aluminium	ground and anodized	600	26	20X2	M8x20	55	624	500
K0210.1803	aluminium	serrated plastic sleeve	180	26	20X2	M8x20	55	204	500
K0210.2003	aluminium	serrated plastic sleeve	200	26	20X2	M8x20	55	224	500
K0210.2503	aluminium	serrated plastic sleeve	250	26	20X2	M8x20	55	274	500
K0210.3003	aluminium	serrated plastic sleeve	300	26	20X2	M8x20	55	324	500
K0210.3503	aluminium	serrated plastic sleeve	350	26	20X2	M8x20	55	374	500
K0210.4003	aluminium	serrated plastic sleeve	400	26	20X2	M8x20	55	424	500
K0210.5003	aluminium	serrated plastic sleeve	500	26	20X2	M8x20	55	524	500
K0210.6003	aluminium	serrated plastic sleeve	600	26	20X2	M8x20	55	624	500