

Clamping levers, plastic, non-adjustable, threaded insert blue passivated steel

Item description/product images



Description

Material:

Handle fibreglass reinforced plastic.
Steel parts grade 5.8.

Version:

Handle black grey, steel parts blue-passivated.

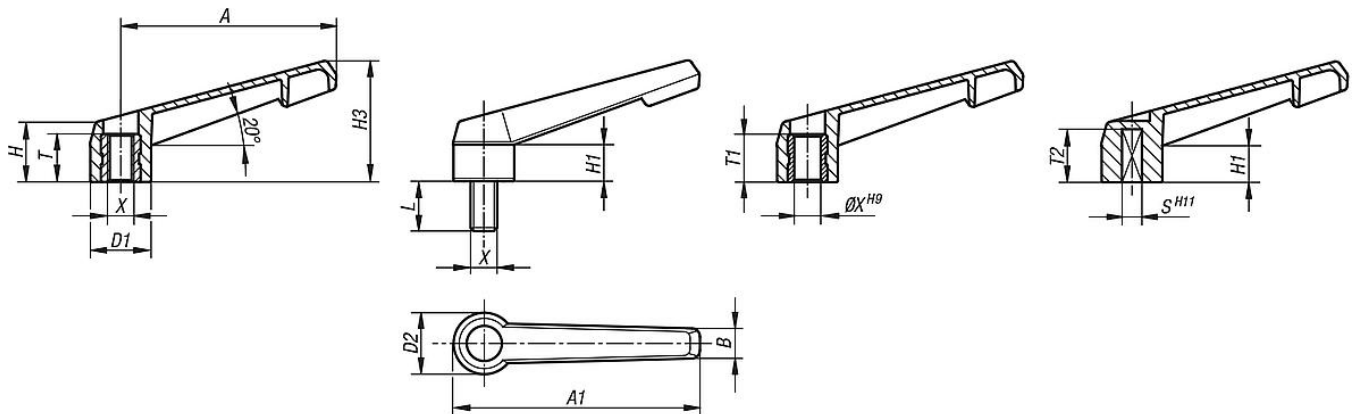
Note:

Non-adjustable clamping levers can be used for simple applications. Generally, there must be enough space so that the lever can be rotated through 360°.

On request:

Special versions.

Drawings



Overview of items

Non-adjustable clamping levers with female thread

Order No.	Thread type	Size	X	T	D1	D2	H	H1	H3	A	A1	B
K0175.104000	female thread	1	M4	10	13,8	14	17	11	27	40	47	8
K0175.105000	female thread	1	M5	10	13,8	14	17	11	27	40	47	8
K0175.106000	female thread	1	M6	10	13,8	14	17	11	27	40	47	8
K0175.208000	female thread	2	M8	14	18,3	18,5	18	11	36,5	65	75	9
K0175.310000	female thread	3	M10	14	21,8	22	22	14	45	80	91	11
K0175.412000	female thread	4	M12	18	25,8	26	26	17	54	95	108	13
K0175.516000	female thread	5	M16	18	30,8	31	31	21	63	110	126	16

Non-adjustable clamping levers with male thread

Order No.	Thread type	Size	X	D1	D2	H	H1	H3	A	A1	B	L
K0175.105X	male thread	1	M5	13,8	14	17	11	27	40	47	8	20
K0175.106X	male thread	1	M6	13,8	14	17	11	27	40	47	8	20
K0175.208X	male thread	2	M8	18,3	18,5	18	11	36,5	65	75	9	15/20/30
K0175.310X	male thread	3	M10	21,8	22	22	14	45	80	91	11	30
K0175.412X	male thread	4	M12	25,8	26	26	17	54	95	108	13	30
K0175.516X	male thread	5	M16	30,8	31	31	21	63	110	126	16	40

Clamping levers, plastic, non-adjustable, threaded insert blue passivated steel

Overview of items

Non-adjustable clamping levers with reamed hole

Order No.	Thread type	Size	X	T1	D1	D2	H	H1	H3	A	A1	B
K0175.106001	reamed hole	1	6	10	13,8	14	17	11	27	40	47	8
K0175.208001	reamed hole	2	8	14	18,3	18,5	18	11	36,5	65	75	9
K0175.310001	reamed hole	3	10	14	21,8	22	22	14	45	80	91	11
K0175.412001	reamed hole	4	12	18	25,8	26	26	17	54	95	108	13
K0175.516001	reamed hole	5	16	18	30,8	31	31	21	63	110	126	16

Non-adjustable clamping levers with square socket

Order No.	Thread type	Size	S	T2	D1	D2	H	H1	H3	A	A1	B
K0175.105002	square socket	1	5	13	13,8	14	17	11	27	40	47	8
K0175.206002	square socket	2	6	16	18,3	18,5	18	11	36,5	65	75	9
K0175.308002	square socket	3	8	18	21,8	22	22	14	45	80	91	11
K0175.410002	square socket	4	10	20	25,8	26	26	17	54	95	108	13
K0175.512002	square socket	5	12	26	30,8	31	31	21	63	110	126	16