

Attachment jaws stepped, with grip rail

Item description/product images



Description

Material:

Steel.

Version:

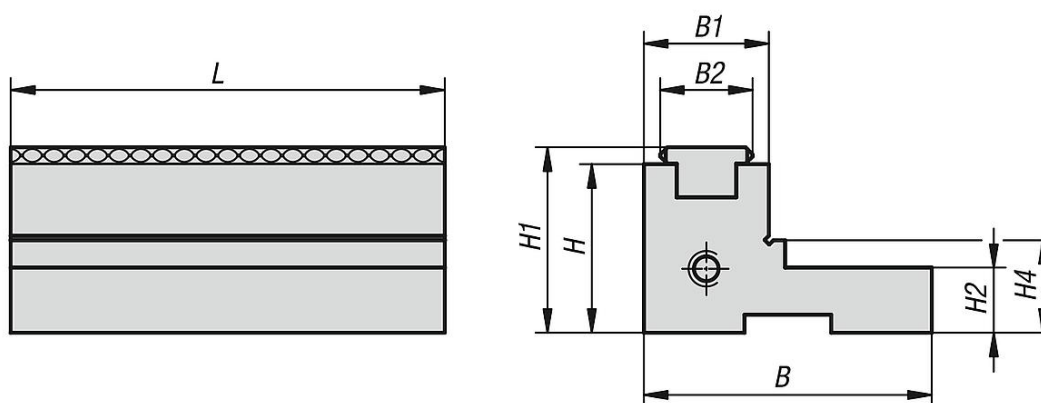
Stepped jaws hardened, clamping faces ground.

Grip rail hardened.

Note:

These attachment step jaws are suitable for centric vices. The clamping width can be increased or decreased by reversing the jaws. The gripper jaw pads can also be exchanged for smooth jaw pads.

Drawings



Overview of items

Attachment jaws, stepped, with grip rail

Order No.	B	B1	B2	H	H1	H2	H4	L	weight kg
K0587.0651	38	30	17	18	21,1	9	9,5	65	0,354
K0587.0801	53	23	17	31	34,1	12	17	80	0,5
K0587.1251	67	23	17	31	34,1	18	23	125	1,55