

Star grips quick-acting

Item description/product images



Description

Material:

Black thermoplastic.

Bush steel.

Version:

Bush trivalent blue passivated

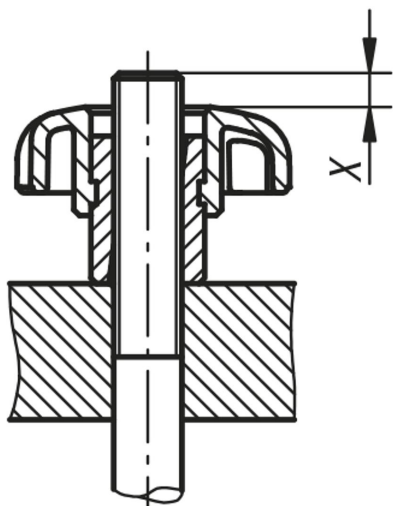
Note:

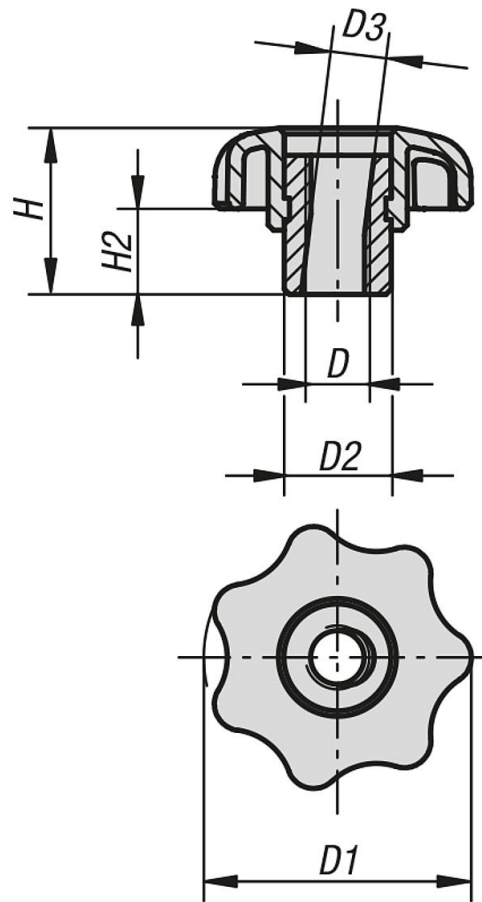
Quick-acting star grips can be used on all fixtures that do not require a high clamping force.

Tilt the grip to slide on, then straighten it to engage the threads.

Drawing reference:

X: The stud should be several mm longer than height "H"





Overview of items

Star grips quick-acting

Order No.	D	D1	D2	D3	H	H2
K0156.05	M5	25	10	5,2	16,6	9
K0156.06	M6	32	13,5	6,2	20,6	11
K0156.08	M8	40	13,5	8,3	24,5	13
K0156.10	M10	50	19	10,3	31,2	17
K0156.12	M12	63	19	12,7	39,3	21