

Star grips similar to DIN 6336, aluminium, Form C, blind hole

Item description/product images

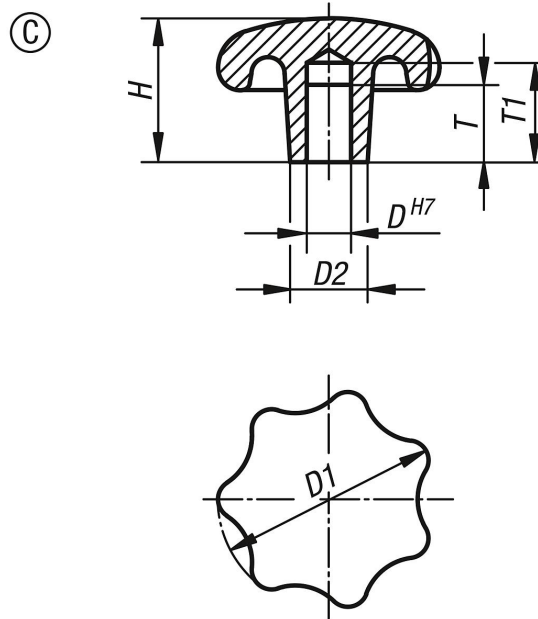


Description

Material:
Aluminium.

Version:
Tumbled or ground and polished.

Drawings



Overview of items

Order No.	Form	Surface finish body	D	D1	D2	H	T	T1
K0149.340082	C	polished	8	40	14	25	15	18
K0149.350102	C	polished	10	50	18	32	18	21
K0149.363122	C	polished	12	63	20	40	22	25
K0149.380162	C	polished	16	80	25	50	28	32
K0149.34008	C	tumbled	8	40	14	25	15	18
K0149.35010	C	tumbled	10	50	18	32	18	21
K0149.36312	C	tumbled	12	63	20	40	22	25
K0149.38016	C	tumbled	16	80	25	50	28	32