

Knurled nuts high form steel and stainless steel, DIN 466

Item description/product images



Description

Material:

Steel.

Stainless steel 1.4305.

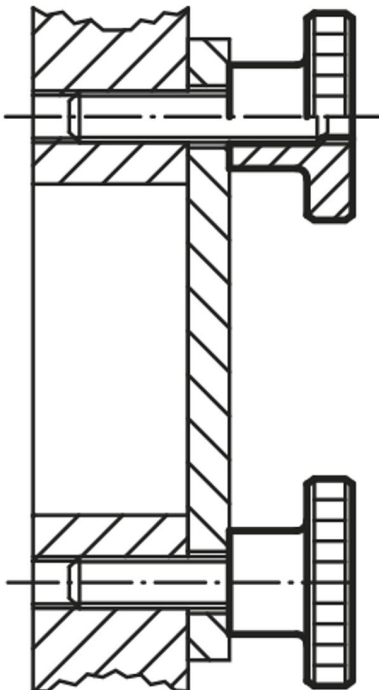
Version:

Steel black oxidised.

Stainless steel bright.

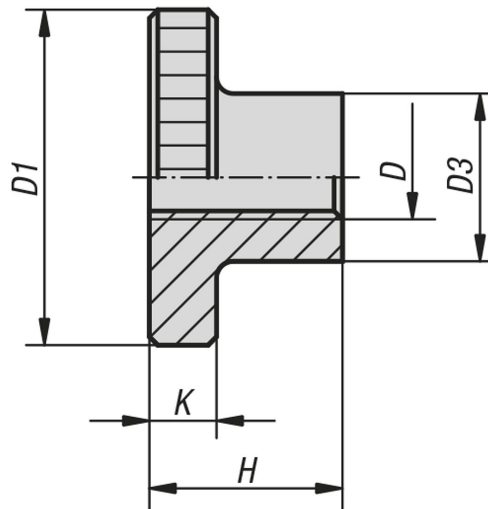
Note:

M12 high knurled nuts are not included in the official standards sheet.



Knurled nuts high form steel and stainless steel, DIN 466

Drawings



Overview of items

Knurled nuts high form steel and stainless steel, DIN 466

Order No.	Main material	D	D1	D3	H	K
K0143.04	steel	M4	16	8	9,5	3,5
K0143.05	steel	M5	20	10	11,5	4
K0143.06	steel	M6	24	12	15	5
K0143.08	steel	M8	30	16	18	6
K0143.10	steel	M10	36	20	23	8
K0143.12	steel	M12	36	20	23	8
K0143.042	stainless steel	M4	16	8	9,5	3,5
K0143.052	stainless steel	M5	20	10	11,5	4
K0143.062	stainless steel	M6	24	12	15	5
K0143.082	stainless steel	M8	30	16	18	6
K0143.102	stainless steel	M10	36	20	23	8
K0143.122	stainless steel	M12	36	20	23	8