

Knurled nuts quick-acting steel or stainless steel

Item description/product images



Description

Product description:

Quick-acting knurled nuts are mainly used in applications where no high clamping pressures are required.

Tilt the nut to slide on, then straighten it to engage the threads.

Material:

High carbon steel or stainless steel 1.4404.

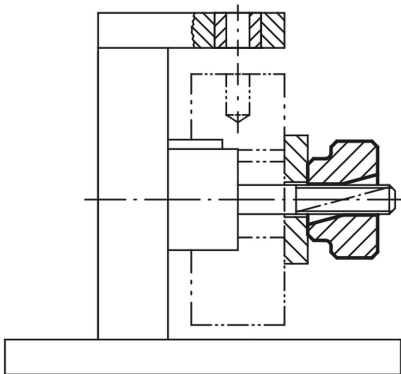
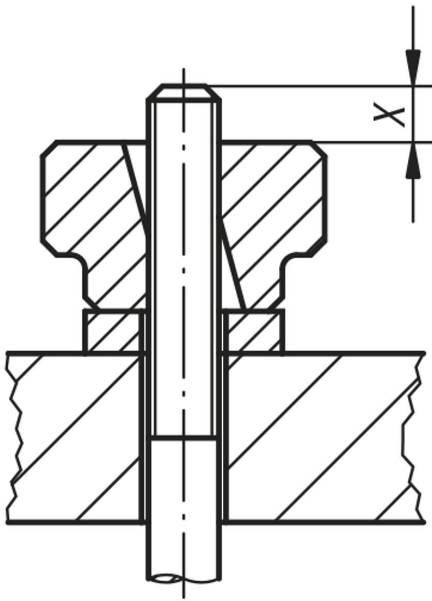
Version:

Steel tempered and black oxidised.

Stainless steel bright.

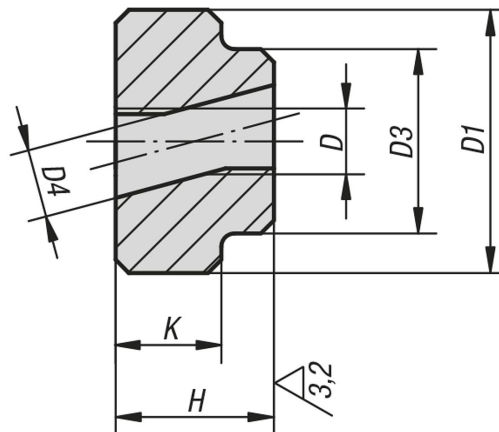
Drawing reference:

X: The stud should be several mm longer than height "H"



Knurled nuts quick-acting steel or stainless steel

Drawings



Overview of items

Knurled nuts quick-acting

Order No.	Main material	D	D1	D3	D4	H	K
K0139.04	high carbon steel	M4	16	14	4,2	12	8
K0139.05	high carbon steel	M5	20	14	5,2	12	8
K0139.06	high carbon steel	M6	24	16	6,2	14	10
K0139.08	high carbon steel	M8	30	20	8,2	17	12
K0139.10	high carbon steel	M10	36	28	10,3	20	14
K0139.12	high carbon steel	M12	40	32	12,3	24	16
K0139.104	stainless steel	M4	16	14	4,2	12	8
K0139.105	stainless steel	M5	20	14	5,2	12	8
K0139.106	stainless steel	M6	24	16	6,2	14	10
K0139.108	stainless steel	M8	30	20	8,2	17	12
K0139.110	stainless steel	M10	36	28	10,3	20	14
K0139.112	stainless steel	M12	40	32	12,3	24	16